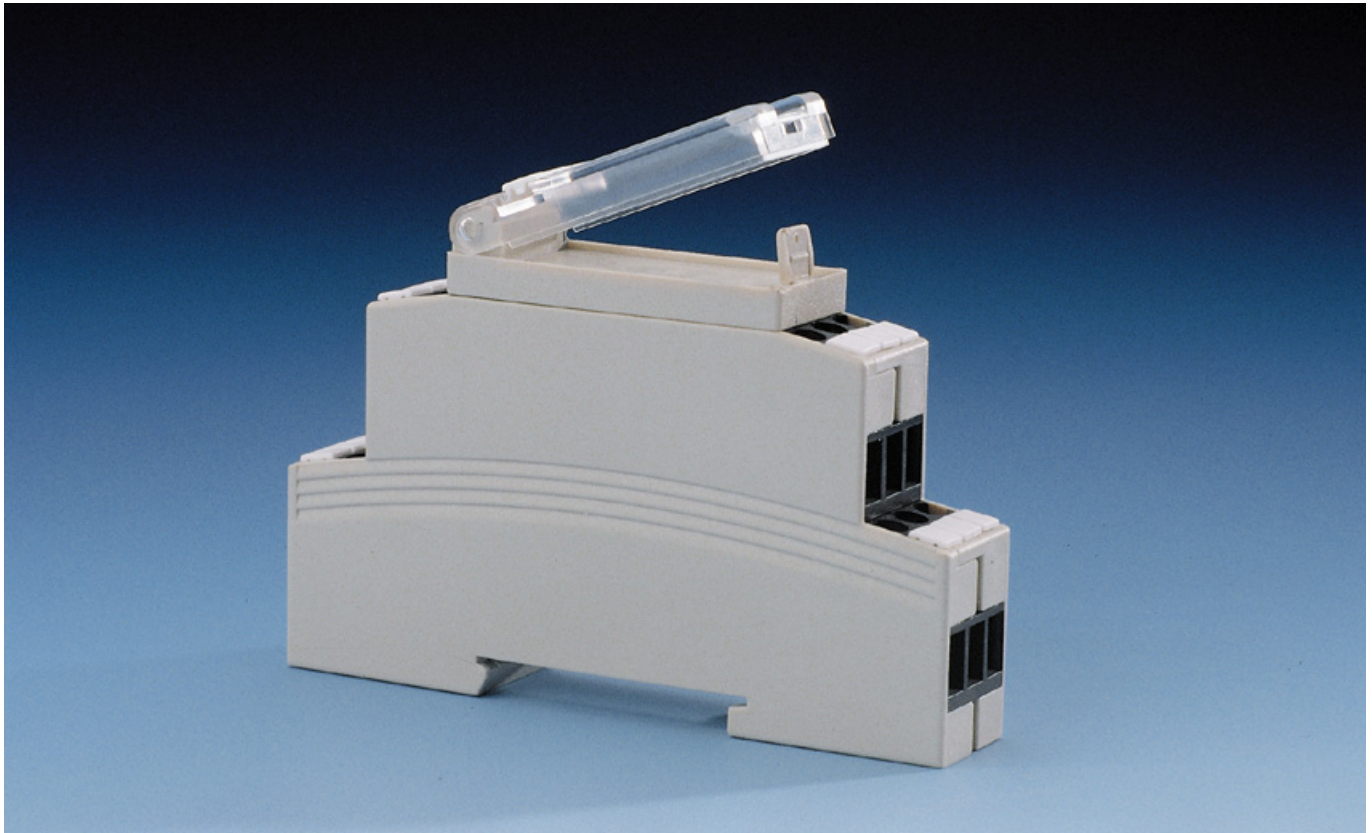


IDG-A





General

The new IDG-A1 DIN rail mount enclosure is ideal for applications requiring a housing for smaller pcbs and minimal DIN rail space loss. The IDG-A1 has sleek lines, making this an attractive packaging medium for applications such as home/building automation.

This enclosure has been designed according to DIN 43 880, providing the dimensions and specifications required for installation component standards. Conforming to VBG 4 and IEC529/DIN VDE 0470-1, the IDG-A1 prevents accidental shock and injury while meeting the requirements of the automation industries. This new housing enables users to incorporate one vertical pcb and a top horizontal pcb or three horizontal pcbs. The top horizontal pcb is ideal for holding signalling devices/indicators and switches. Fully populated, the terminal blocks have a maximum of 12 screw clamp #terminals. For applications not requiring all 12 I/O positions or requirements for additional internal space, selective loading may be done, with empty positions being filled with blind plugs.

Features

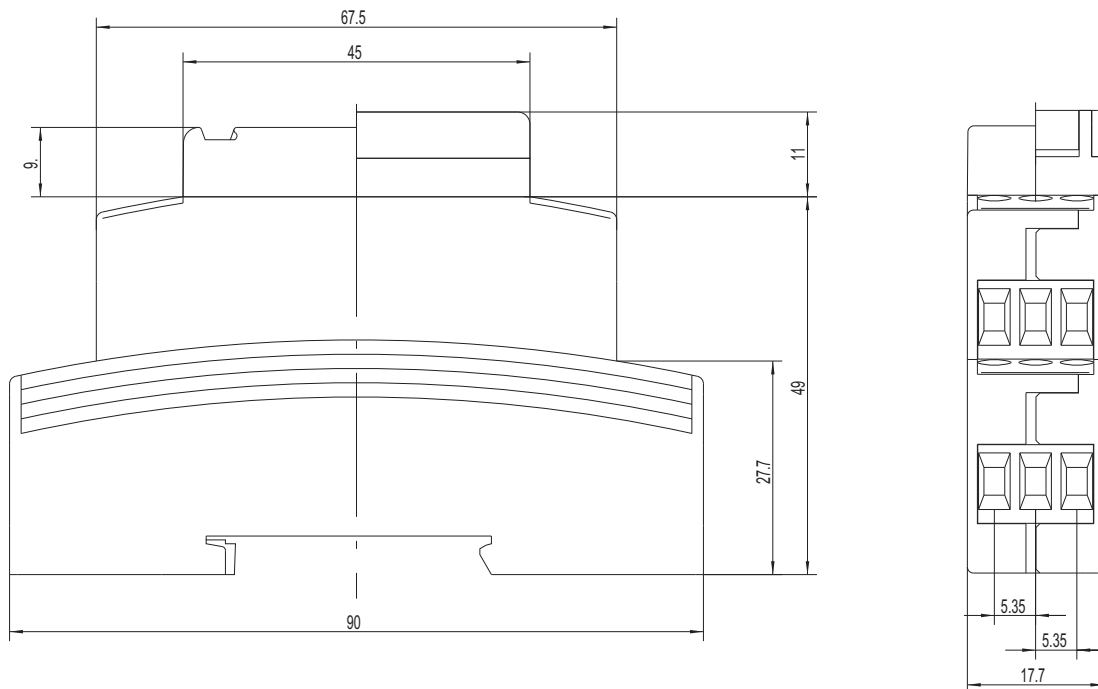
- Installed width of 17.5^{+0.5} mm
- Dimensional size per DIN 43 880, component size 1
- Mountable to DIN rails meeting DIN 46 277 and DIN EN 50 022 (35mm)
- Ease of assembly due to snap-together design
- One main PCB (vertical) or up to three horizontal PCBs
- Two terminal blocks (one left, one right), each with two sets of three positions (may be custom-loaded)
- Blind insert may be utilized in-place of terminal blocks for maximum space utilization
- 2 cover versions: grey cover or grey cover frame for clear hinged face plate (for access to switching components)
- Grounding connection via DIN rail pending
- Customer-specific colors and designs available upon request

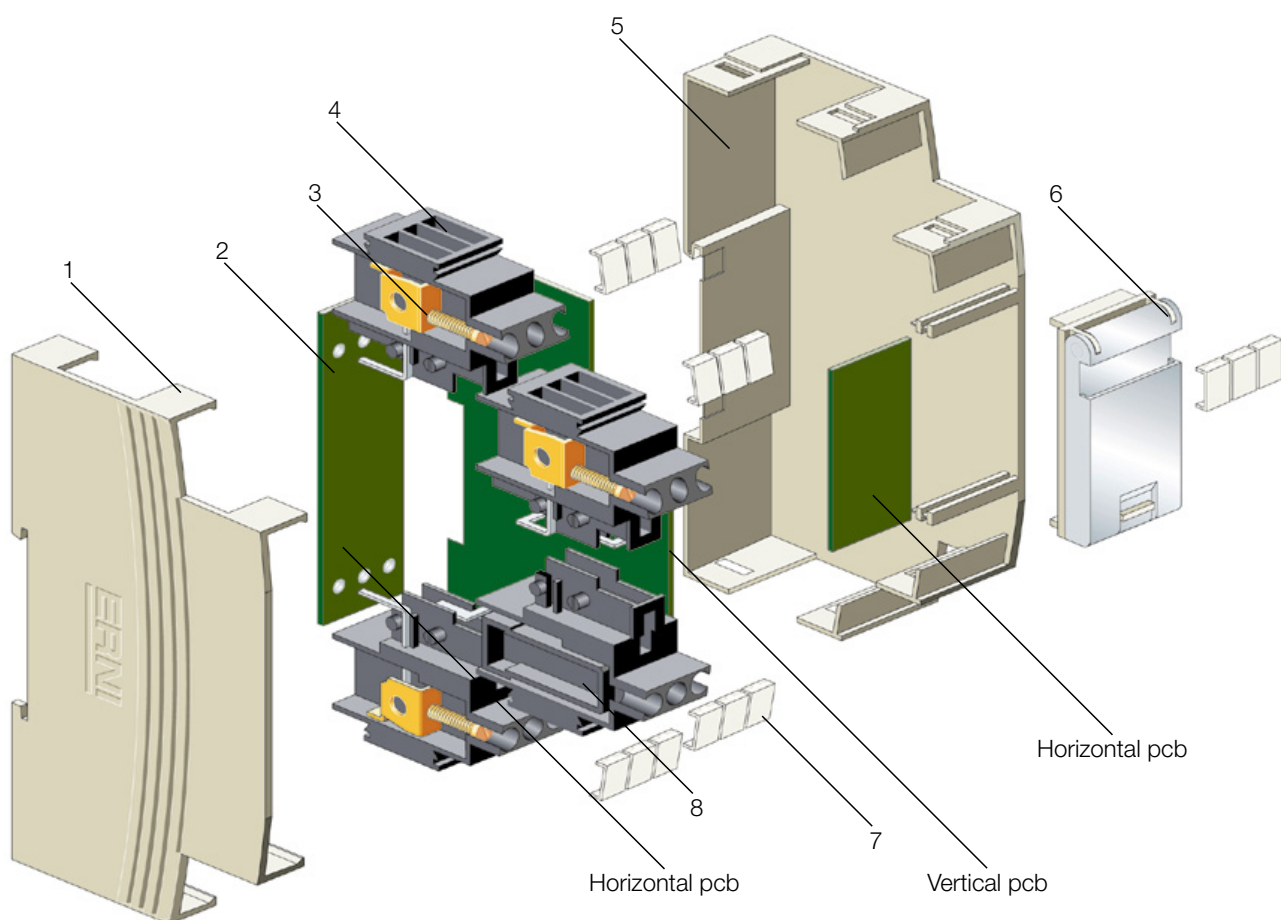
Electrical and Mechanical Characteristics

Type	IDG-A1
Degree of Protection	IP 20
Air Distance and Creepage (Terminal Block)	min. 2.5 mm
Creepage proof (Terminal Block)	CTI 250
Insulation Material	III a
Maximum Current	max. 12 A
Maximum Wire Size	max. 2.5 mm ² (14 AWG)
Materials	
Upper Housing Shell	PC 30 % GF UL 94-V1
Lower Housing Shell	PC 30 % GF UL 94-V1
Blind Terminal Block	PC 30 % GF UL 94-V1
Cover	PC 30 % GF UL 94-V1
Hinged Face Plate	PC UL 94-V2
Terminal Block	PA 46 30 % GF UL 94-V0
Blind Plug	PC UL 94-V2
Screw Clamp	Steel (zinc plated)
pcb Termination Pin	CuSn 6 (2 μm Ni +5 μm SnPb plating)
Nomenclature Marker	PA 66
Operating Temperature	-40 °C +110 °C
Outer Dimensions: With Cover (W x H x D)	90 x 58 x 17.7 mm
Outer Dimensions: With Hinged Face Plate (W x H x D)	90 x 60 x 17.7 mm

All data only for the housing shell without pcb connection. Notice the influencing of the air distance and the creepage because of the wiring.

IDG-A1: Dimensional Drawing





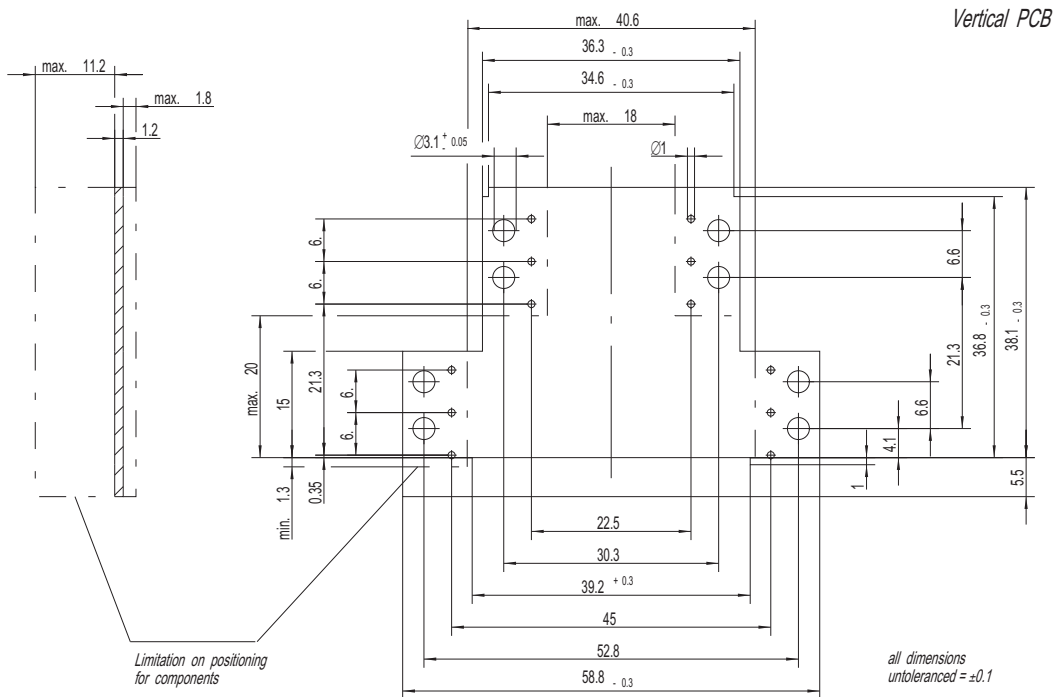
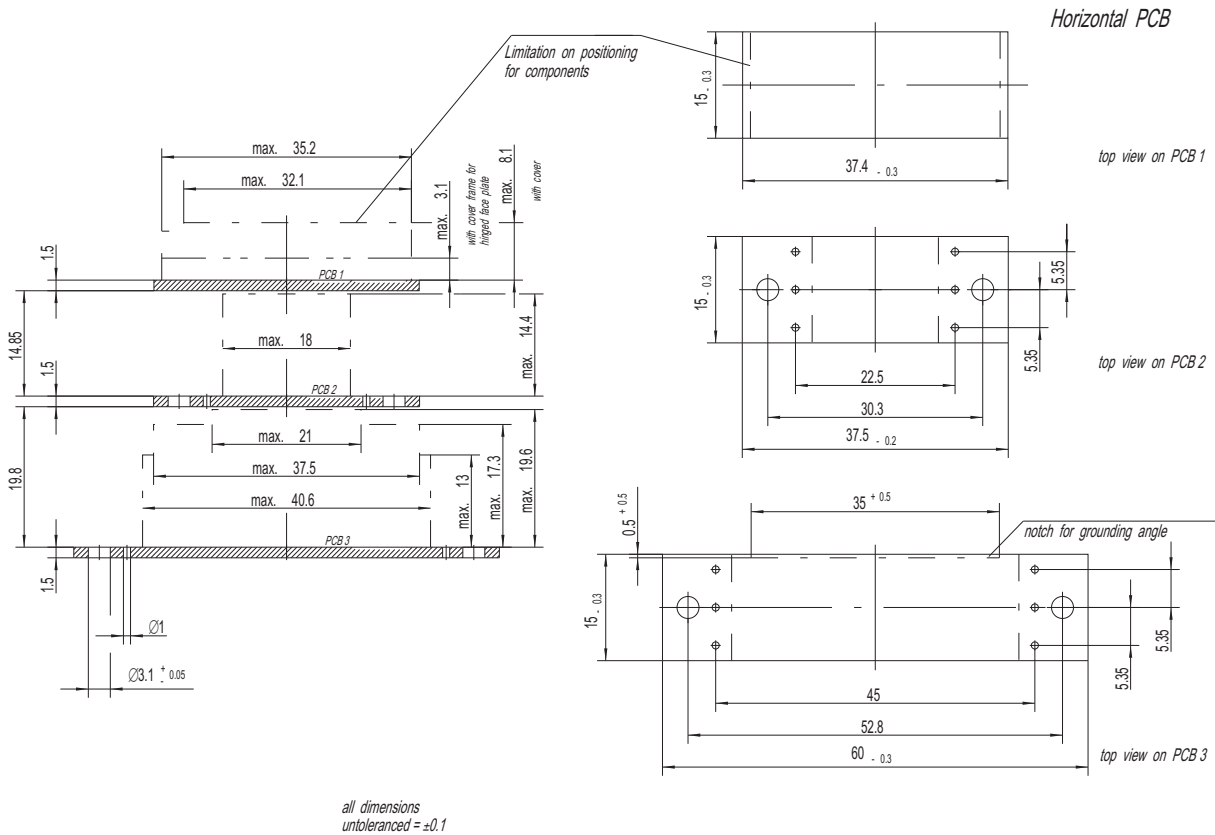
Individual Components

Item	Description
1	Upper Housing Shell
2	pcb Termination Pin
3	Screw Clamp
4	Terminal Block
5	Lower Housing Shell
6	Cover with Hinged Face Plate
7	Snap-on Nomenclature Marker
8	Blind Plug

Material

PC 30% GF
CuSn6 (tin plated)
Steel (zinc plated)
PA 46 30% GF
PC 30% GF
PC 30% GF/PC
PA 66
PC

PCB Dimensions and Installation Notes



Ordering Information

Description	PCB Orientation*	Cover Version	Part No.
Complete Kit	Vertical	Cover	104990
Complete Kit	Vertical	Cover with Hinged Face Plate	104991
Complete Kit	Horizontal	Cover	104992
Complete Kit	Horizontal	Cover with Hinged Face Plate	104993

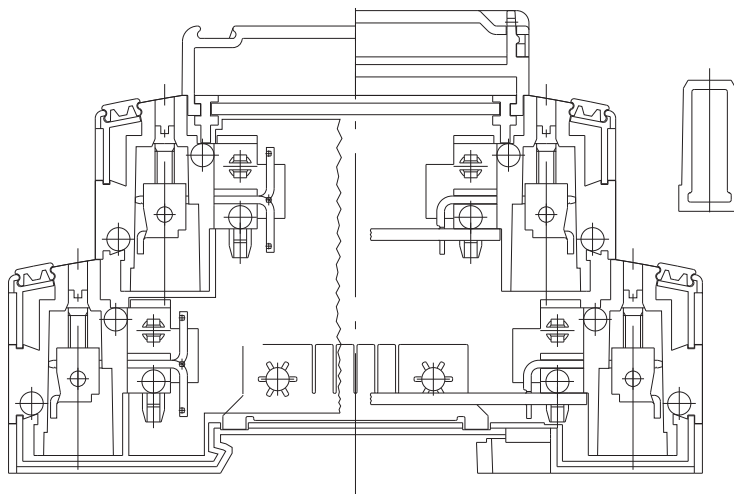
Note: *pcb Orientation is in relation to DIN rail

The complete kits are packaged individually and consist of the following: an upper housing shell, lower housing shell, two left terminal blocks, two right terminal blocks (both terminal blocks are populated with 6 pins and screw clamps each) and a cover.

The individual components listed in the table below are ideal for applications with high production volumes.

Description	Part No.	Description	Part No.
Lower Housing Shell	064080	pcb Pin 1, Left/Right	064087
Upper Housing Shell	064081	pcb Pin 2, Left	064088
Left Terminal Block, Assembled	104872	pcb Pin 3, Left	103681
Right Terminal Block, Assembled	104873	pcb Pin 2, Right	103950
Horizontal pcb Terminal Block, Assembled	104874	pcb Pin 3, Right	103951
Snap-on Nomenclature Markers	104413	pcb Pin Horizontal pcb	103684
Blind Terminal Block	064085	Cover	064082
Empty Terminal Block Housing	064086	Cover Frame for Hinged Face Plate	064083
Blind Plug for Terminal Block Housing	414466	Hinged Face Plate, Transparent	064084
Screw Clamp	104150		

Installation Diagram





ERNI Electronics GmbH

Seestrasse 9
73099 Adelberg/Germany
Tel +49 7166 50-0
Fax +49 7166 50-282
info@erni.de

Europe South America Africa Japan

ERNI Electronics Inc.

2201 Westwood Ave
Richmond, VA 23230/USA
Tel +1 804 228-4100
Fax +1 804 228-4099
info@erni.us

North America Canada Mexico

ERNI Asia Holding Pte Ltd

23A Serangoon North Avenue 5
#04-11
Singapore 554369
Tel +65 6 555 5885
Fax +65 6 555 5995
info.sg@erni.com

Asia

www.erni.com

© ERNI Electronics GmbH 2009 • Printed in Germany. A policy of continuous improvement is followed and the right to alter any published data without notice is reserved.
ERNI®, MicroStac®, MicroSpeed®, MiniBridge®, MaxiBridge®, ERmet®, ERmet ZD®, ERbic® and ERNIPRESS® are trademarks (registered or applied for in various countries) of ERNI Electronics GmbH.