

Features

- All parts are pre-assembled, only 1 mounting screw
- Extremely flexible due to:
 - Spring clamp terminal
 - Changeable cable clamps for different cable diameters from 6 to 9 mm (8 mm pre-assembled, 7 mm enclosed)
- Best quality due to use of the new ERNI D-Sub connector generation
- Externally connectable termination resistor
- Optional diagnostic-interface
- Extra metallic stamped shield connection for optimal shield contact
- Processible with only one tool (screwdriver)
- Exchangeable ID plate for manual or automatic labeling
- Due to the red lever the switch setting is well visible
- Compact design
- Large area for customer-specific labeling, neutral version or with custom company-logo

Technical Data

Interface connector:	D-Sub, female class 2
PU connection:	D-Sub, male class 2
Cable termination:	2 x horizontal cable outlets can be covered by blind plate
Cable diameter:	6 – 9 mm
Cross section of cage clamp:	0.08 – 0.5 mm ² (0.75 mm ²)
Data transmission rate:	max. 1 MBit/s (CAN-Spezifikation)
Temperature range:	-20 °C – +70 °C
Permissible humidity:	max. 75% at +25 °C, non-condensing
Protection class:	IP 20
Housing material :	Thermoplast UL94V-1
D-Sub screw 4/4 UNC:	slotted head screw
UL approval:	in preparation
CE marking:	ERbic connectors are passive components and do not need to be identified with CE marking acc. to EU directives.

Recommended Cables

LAPP cables (for standard cable clamp 8 mm):

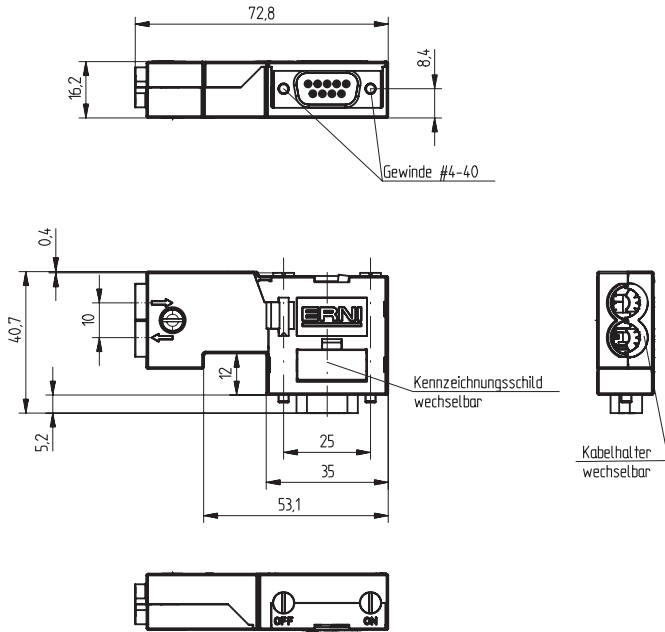
UNITRONIC BUS CAN UL/CSA	2170266	ø 7.5 mm
UNITRONIC BUS FD P CAN UL/CSA	2170278	ø 8.0 mm

Helu cables (for cable clamp 7 mm):

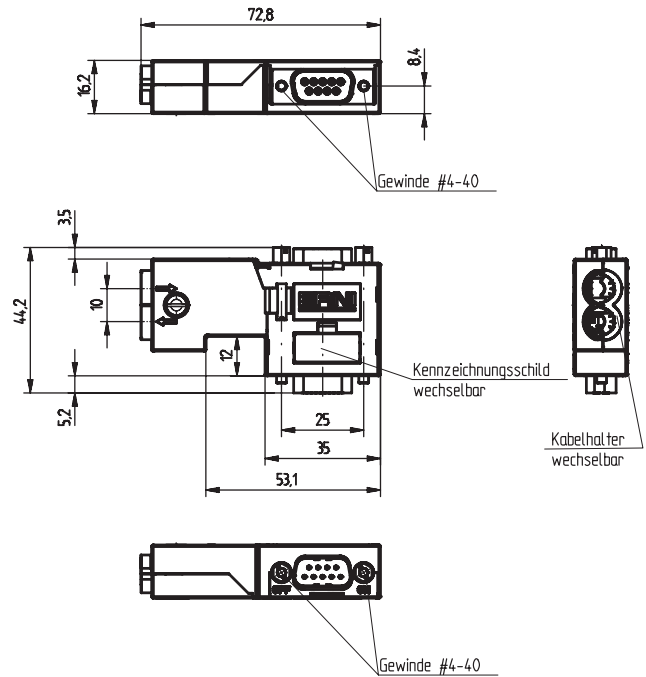
CAN Bus cable	800571	ø 7.0 mm
CAN Bus cable, high flexible	802182	ø 6.9 mm

Dimensional Drawings

CANbus without PU connection



CANbus with PU connection



Pin Configuration

Terminal	D-Sub Pin	Wire color	Signal
GND	3	shielding	CAN Ground
C-L	2	white	CAN-Low
C-H	7	brown	CAN-High
C-L	2	white	CAN-Low
C-H	7	brown	CAN-High
GND	3	shielding	CAN Ground

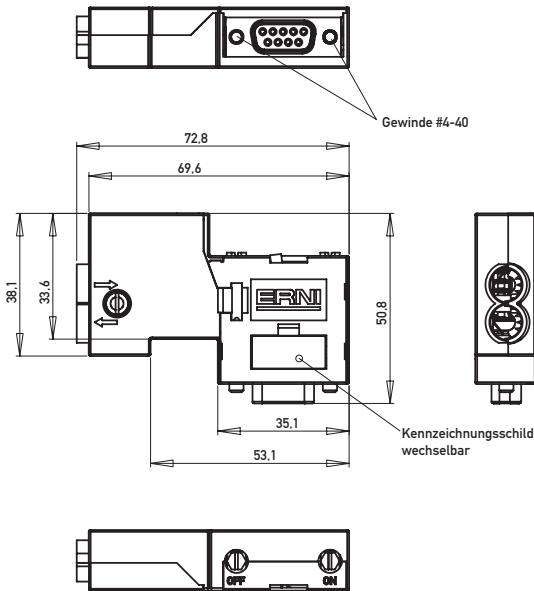
Ordering Information

Configuration	D-Sub 9-pin	Color	Termination	Part Number
CANbus without Service/PU connection	female	black	cage clamp	366328
CANbus with Service/PU connection	female and male (PU connection)	black	cage clamp	366331

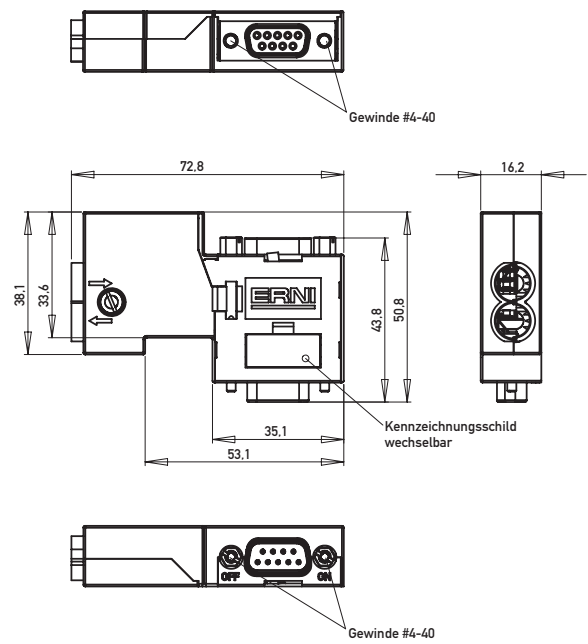
- Single box packaging:
- ERbic with pre-mounted cable clamp 8 mm
 - Installation instructions
 - additional cable clamp 7 mm
 - blind plate for unused cable outlets

Dimensional Drawings

CANbus without PU connection



CANbus with PU connection



Pin Configuration

Terminal	D-Sub Pin	Wire color	Signal
V+	9		V+
V-	6		V-
GND	3	shielding	CAN Ground
C-L	2	white	CAN-Low
C-H	7	brown	CAN-High
C-L	2	white	CAN-Low
C-H	7	brown	CAN-High
GND	3	shielding	CAN Ground
V+	9		V+
V-	6		V-

Ordering Information

Configuration	D-Sub 9-pin	Color	Termination	Part Number
CANbus without Service/PU connection	female	black	screw terminal	366343
CANbus with Service/PU connection	female and male (PU connection)	black	screw terminal	366346

Single box packaging:

- ERbic with pre-mounted cable clamp 8 mm
- Installation instructions
- additional cable clamp 7 mm
- blind plate for unused cable outlets



Ordering Information

Configuration	Cable diameter	Color	Part Number
Cable clamp	6 mm	light gray	224427
Cable clamp	9 mm	light gray	224433
ID plate	-	white	134577