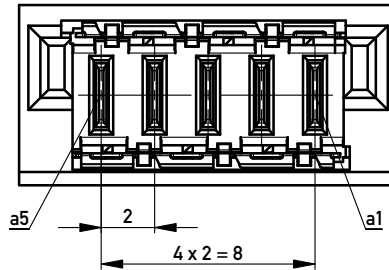
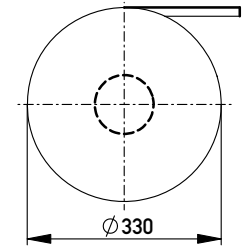


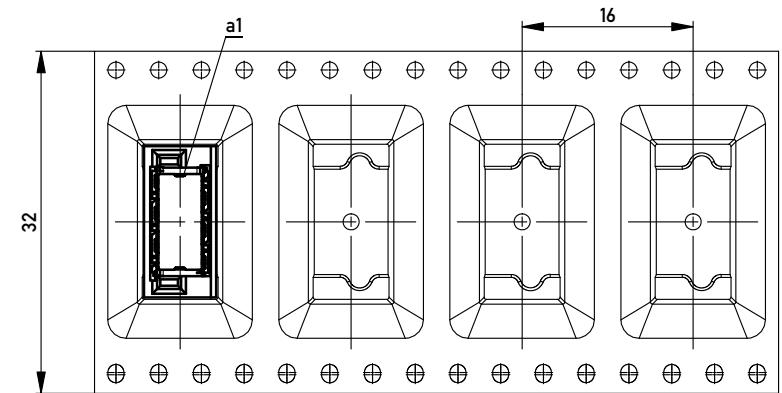
ohne Ansaughaube
without hood



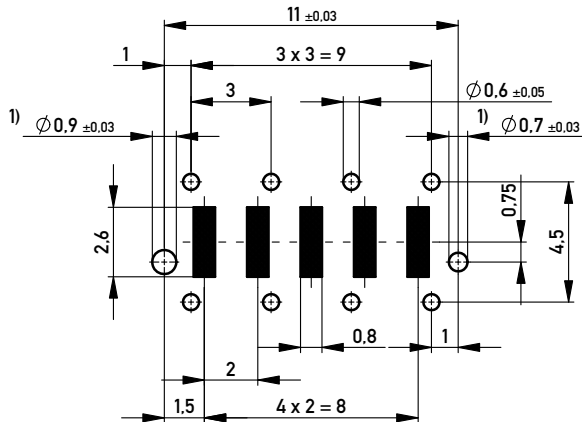
Verpackt in Gurtverpackung
Tape on Reel Packaging
Verpackungseinheit: 220 Stück
Packaging unit: 220 pcs



Abspulrichtung - Reel off Direction



Leiterplatten-Layout Vorschlag / PCB-layout proposal



1) Durchmesser des Bohrers / drill tool

Anforderungsstufe 1
Performance Level 1

Kontaktbereich vergoldet
Mating Area gold plating

Anschlussbereich verzinkt 4-6µm
Terminal Area 4-6µm tin plating

Koplanarität der Anschlüsse ≤ 0,1mm
Coplanarity Area of Termination ≤ 0,1mm

Information:		Tolerances		Scale	5:1
All rights reserved. Only for Information. To ensure that this is the latest version of this drawing, please contact one of the ERNI companies before using.		All Dimensions in mm		Designation	
Subject to modification without prior notice. Drawing will not be updated.				M10 MSPEED Blind Mate PM THR	
www.ERNI.com		354282		I	
e	12.09.2012	Date		A3	
Index		Date		Class MSPEED	

Copyright by ERNI GmbH
Proprietary notice pursuant to ISO 9006 to be observed.