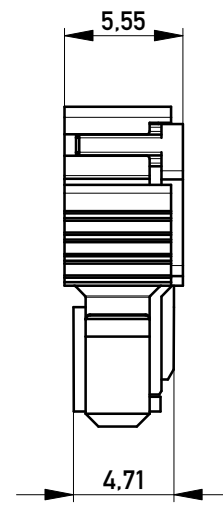
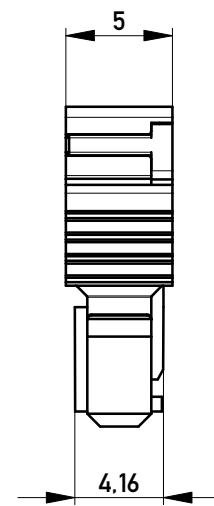


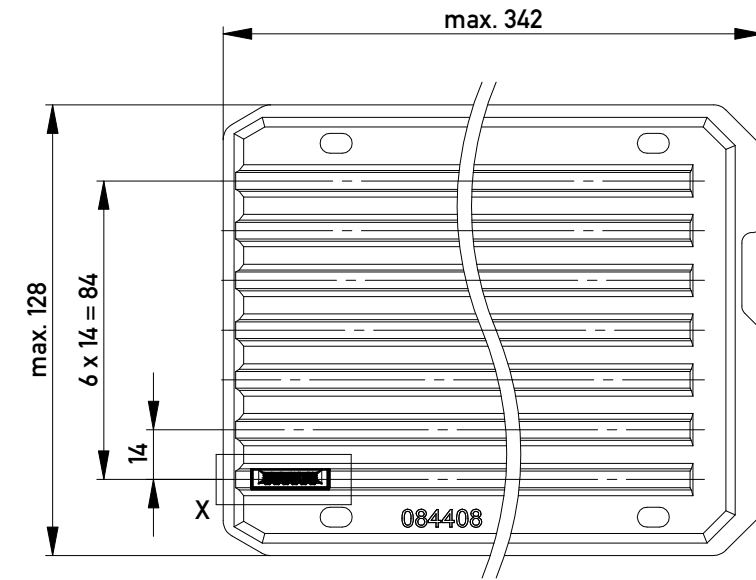
Abdeckung vorverrastet
cover loose mounted



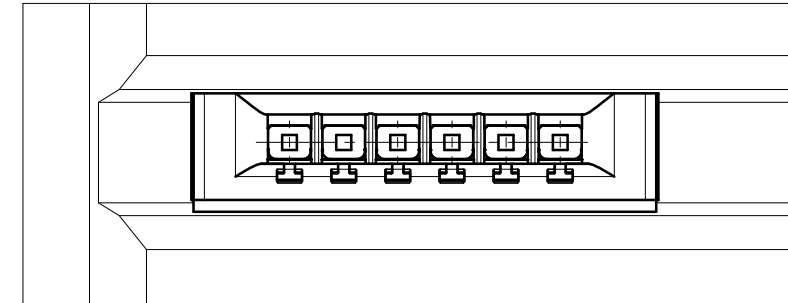
Abdeckung verpresst
cover pressed on



Verpackt in Tray - tray packaging
Verpackungseinheit 98 Stück - packaging unit 98



Einzelheit X
detail X



454670		weiß white	0.6	6.6	1.2	6	Codierung wie Variante schwarz Encoding such variant black
364243		rot red	4.2	3	4.8	2.4	
364242		grün green	3	4.2	3.6	3.6	
364241		blau blue	1.8	5.4	2.4	4.8	
364240		schwarz black	0.6	6.6	1.2	6	
Ident-Nr. part-no.	Codierung coding	Farbe color	A	B	C	D	Bemerkung note

Information:	Tolerances		Scale	3:1
	All Dimensions in mm			
All rights reserved. Only for Information. To ensure that this is the latest version of this drawing, please contact one of the ERNI companies before using.	Subject to modification without prior notice. Drawing will not be updated.		Designation F 2,54 SRC-A, 6-polig BA 2	
		www.ERNI.com	324036	
a	13.09.2011			I
Index	Date			A3
			Class	SRCBUG

Copyright by ERNI GmbH
Proprietary notice pursuant to ISO 16016 to be observed.