

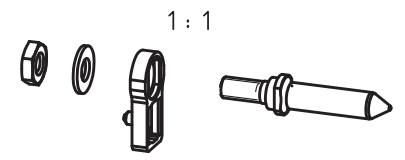
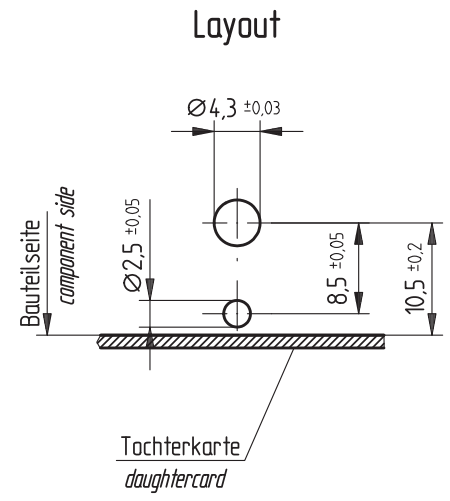
134734  
Grundkörper  
housing

833986  
Schnarrscheibe S 4 rostfrei  
"schnarr" washer

823976  
Sechskantmutter rostfrei ISO 4035 - M4 <sup>1)</sup>  
nut

1) maximales Anzugsmoment: 200 Ncm  
dargestellt: 144131

Bausatz in Polybeutel verpackt



214364	13,8	144742
214363	11,5	144741
Ident.-Nr.	A	Stift-Ident.-Nr.

Information:	Tolerances		Scale	2:1
	All Dimensions in mm			
All rights reserved. Only for information. To insure that this is the latest version of this drawing, please contact one of the ERNI companies before using.	Subject to modification without prior notice. Drawing will not be updated.		Designation	
	www.ERNI.com		<b>Führungsbolz., vergold. Bausatz</b> <i>ERmet Guiding System, Kit</i>	
Index	Date	V:00045912.SZA	214380	I
			ERMBGR	

Consider protection memo from DIN 34.