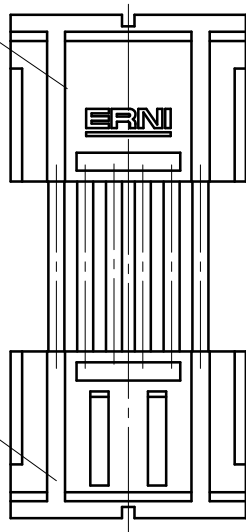
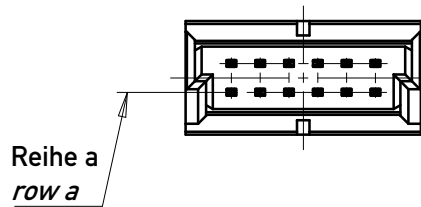
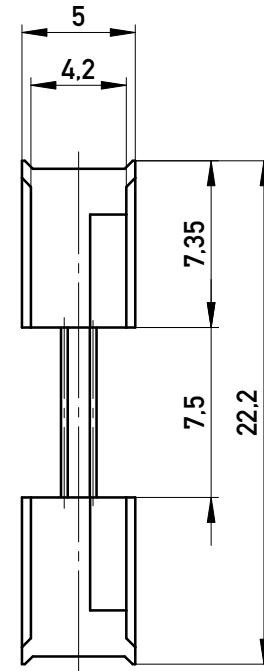
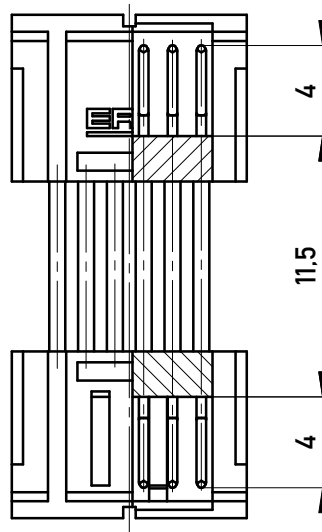


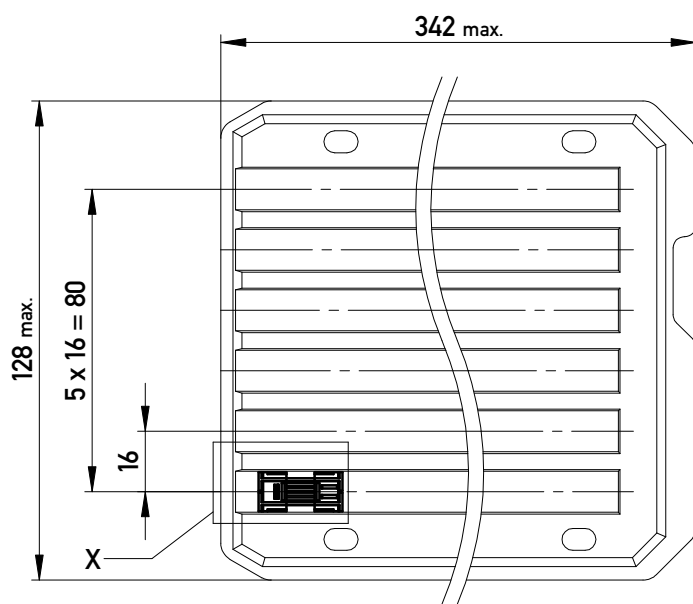
ohne Verriegelung
without interlocking



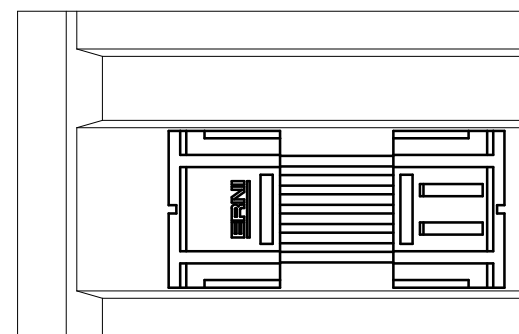
mit Verriegelung
with interlocking



Verpackt in Tray -tray packaging
Verpackungseinheit 84 Stück -packaging unit 84



Einzelheit X (M 2:1)
detail X (scale 2:1)



Adapterstück für board-to-board Abstand von 24mm (beidseitig verbaut mit Federleiste: 154805, Low Profile)
Adapter for board-to-board height 24mm (in combination with two female connectors: 154805, low profile)

Information: All rights reserved. Only for Information. To ensure that this is the latest version of this drawing, please contact one of the ERNI companies before using.	Tolerances All Dimensions in mm	Scale 3:1	
	Subject to modification without prior notice. Drawing will not be updated.	Designation 1,27 DRC BTB 24mm 12-polig 1,27 DRC BTB 24mm 12-pin	
b Index	05.08.2016 Date	www.ERNI.com	
		364096	
		Class DRCBTB	I A3

Copyright by ERNI Production GmbH & Co. KG
 Proprietary notice pursuant to ISO 16016 to be observed.