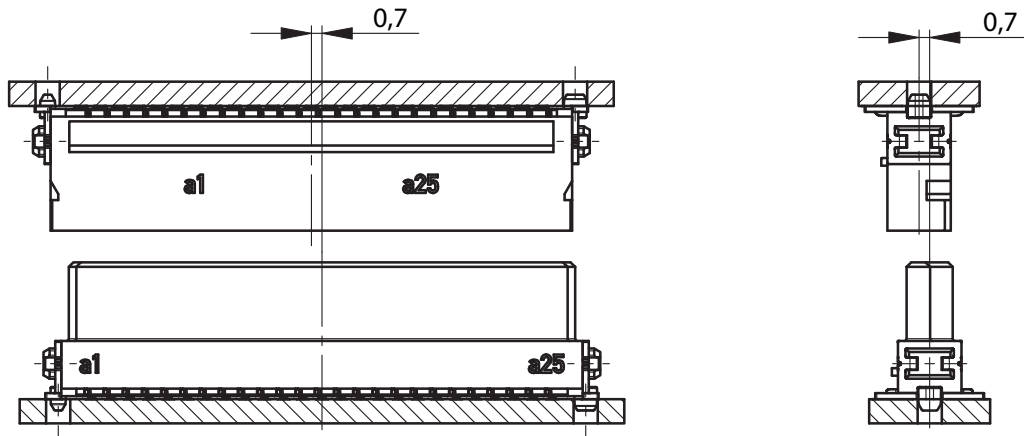
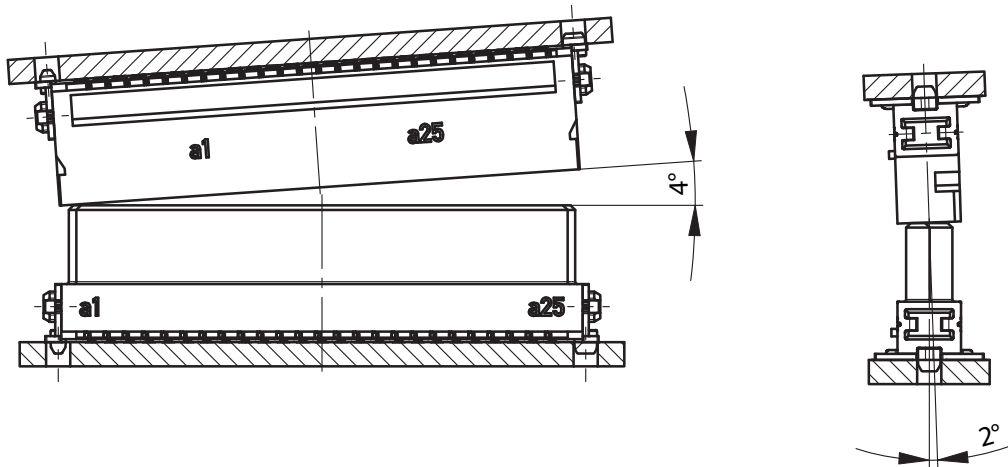


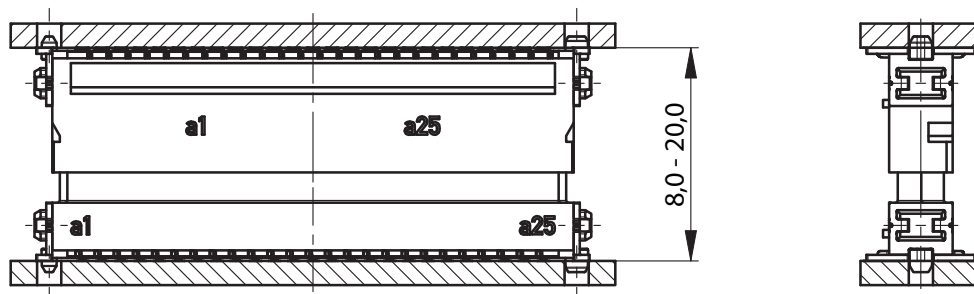
zulässiger Mittenversatz in Längs und Querrichtung jeweils $\pm 0,7\text{mm}$
allowed misalignment in longitudinal and transverse axes $\pm 0,7\text{mm}$

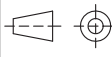




zulässiger Winkelversatz in längs: $\pm 4^\circ$, quer: $\pm 2^\circ$
allowed angular inclination longitudinal: $\pm 4^\circ$, transverse: $\pm 2^\circ$



"Board to Board" Abstand für sichere Kontaktgabe: 8,0 - 20,0mm
"Board to Board" distance for secure mating: 8,0 - 20,0mm



Information: All rights reserved. Only for Information. To ensure that this is the latest version of this drawing, please contact one of the ERNI companies before using.	Tolerances  All Dimensions in mm		Scale 2:1
	Subject to modification without prior notice. Drawing will not be updated.		Designation Steckbedingungen f. SMC-System <i>Mating conditions f. SMC-System</i>
	www.ERNI.com		034485
- Index	26.05.2008 Date		I A4 Class SMCBGR

Copyright by ERNI GmbH
 Proprietary notice pursuant to ISO 16016 to be observed.