

The angled MiniBridge SMT Female Connector makes the MiniBridge System capable to address new applications. The female connector is especially suitable for LED products, which are often designed as modular PCB strips. The final length of those lighting applications can be defined by electrically connecting several PCB strips together. Up until now hand soldering of wires was common and could be accomplished by a simple “click connection“ of multiple PCB strips now. At the end of those systems a MiniBridge female connector in IDC technology is the ideal fit to connect the LED PCBs to a remote control unit. The MiniBridge system has a sophisticated current carrying capacity, which is needed for such applications.

In addition to lighting technology, there are many other products for which MiniBridge is currently used and moving forward coplanar and orthogonal PCB configurations are also possible.

The 1.27mm MiniBridge cable connector system is used in a wide range of applications in various industries such as automotive, industrial, telecom, consumer and medical.

The female connector is available with SMT terminals. The plastic housing of the male connector is able to withstand high temperatures, so the connector is suitable for lead-free reflow soldering processes. The female connector is available in tape-and-reel packaging for automatic assembly.

Features

- Pitch 1.27 mm
- Number of pins: 2, 4, 6
- Current carrying capacity per contact: up to 4 A*
- Termination: SMT
- Interlocking: Positive lock (red): unlockable only with a tool, e.g. tip of pen (high vibration/shock load)
Friction lock (black): unlockable without any tool (lower vibration/shock load)
- Tape and reel packaging for automatic assembly

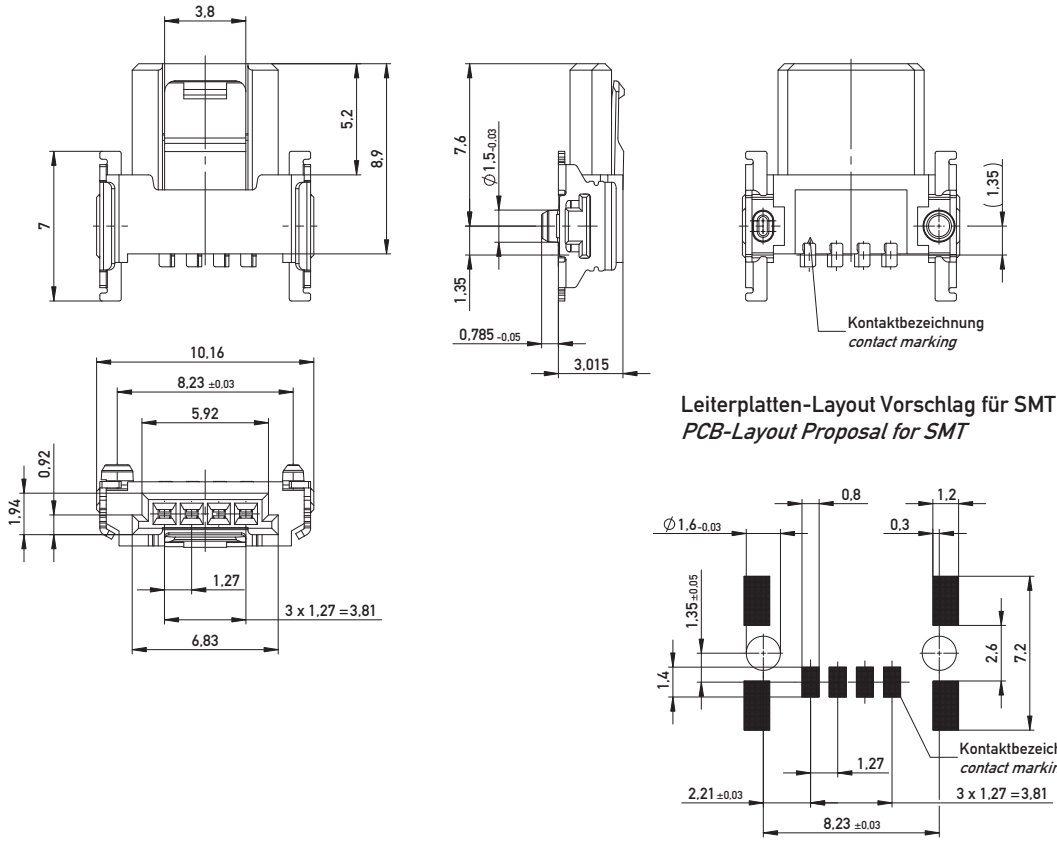
* For mandatory values, please utilize the corresponding derating curves.

MiniBridge® Right Angle Female Connectors

Dimensional Drawings and Ordering Information



4pin Version Friction Lock (black)



Ordering Information

No. of Pins	Color	Termination	Packaging	Part Number
2	black	SMT	Tape and reel	384845
2	red	SMT	Tape and reel	384840
4	black	SMT	Tape and reel	364485
4	red	SMT	Tape and reel	364484
6	black	SMT	Tape and reel	384804
6	red	SMT	Tape and reel	384803