

022636-Zylinderschraube ISO 1207 - M4x6 - 4.8

cheese head screw

001765-Scheibe DN 125 A 4,3

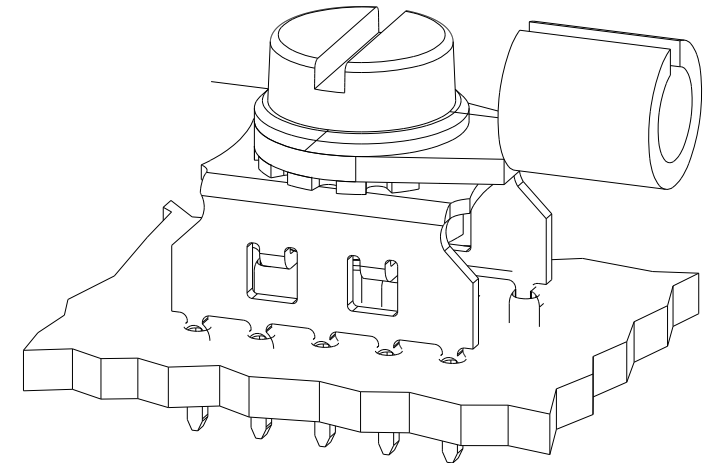
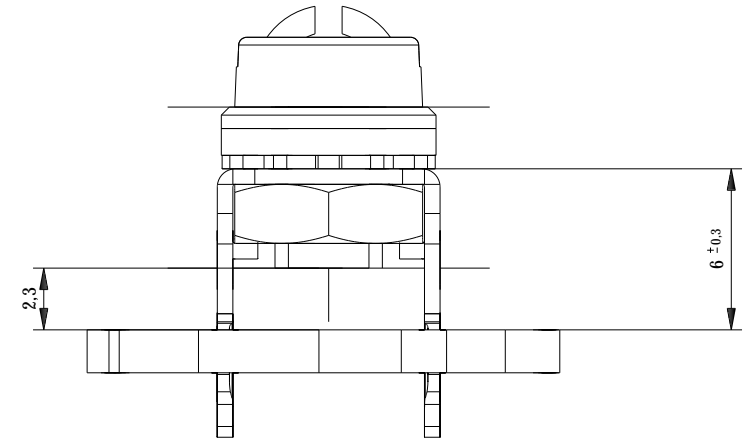
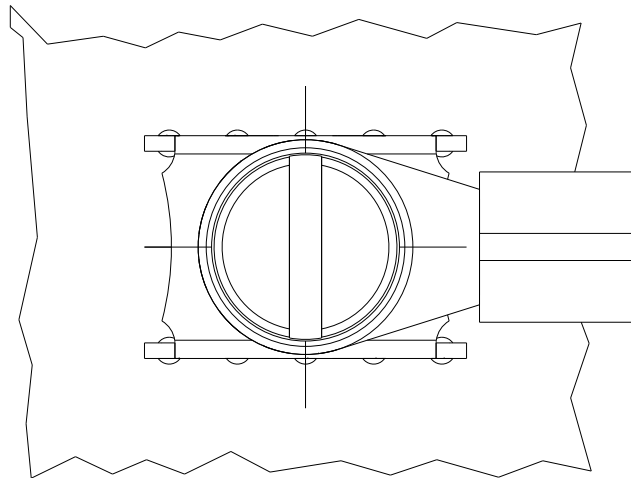
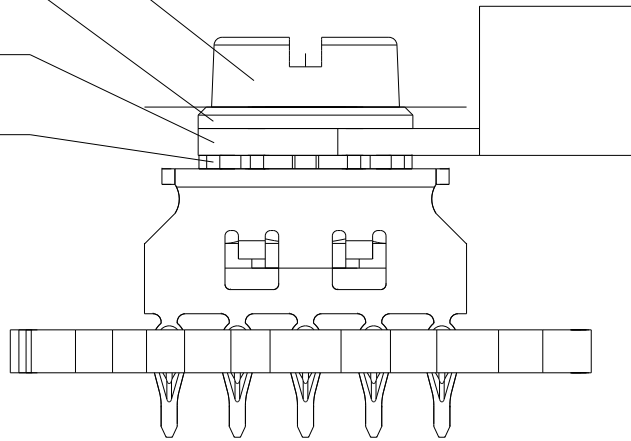
washer

Kabelschuh

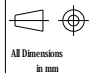

cabl eye

033412 Zahnscheibe DN6797 4.3 Form A

ratchet wheel



Consider protection memo from DH 3.4

<p>All rights reserved. Only for information. To insure that this is the latest version of this drawing, please contact one of the ERNI companies before using. Subject to modification without prior notice. Drawing will not be updated.</p>	<p>Tolerances ISO 2768-m</p>	 <p>All Dimensions in mm</p>	<p>Scale 5:1</p>	<p>Designation SCHEMAZEICHNUNG EINBAU SVA SKETCH POWER BUG</p>
	 <p>Elektroapparate GmbH D-73099 ADELBERG</p>	<p>E02171</p>	<p>1</p>	