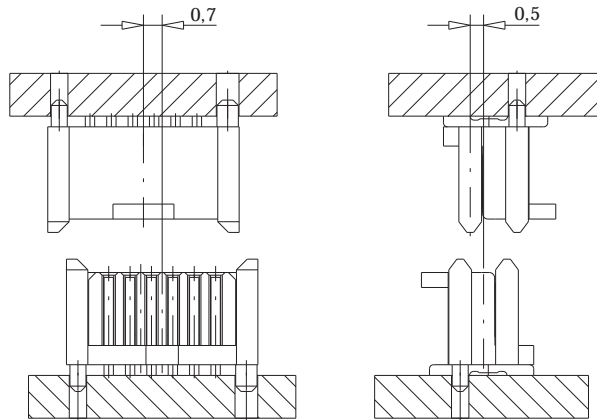


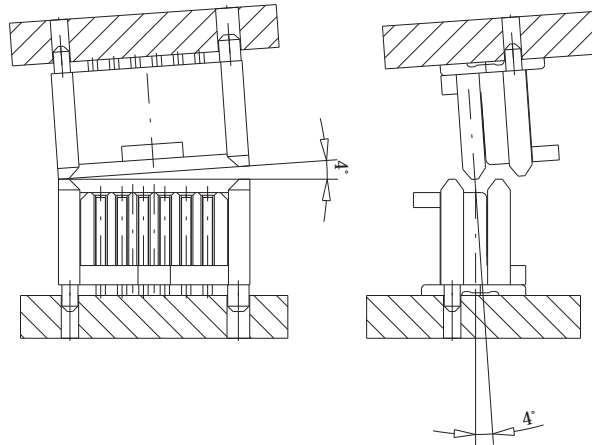
zulässiger Mittenversatz in Längs: $\pm 0,7\text{mm}$ und Querrichtung jeweils $\pm 0,5\text{mm}$

Allowed misalignment in longitudinal: $\pm 0,7\text{mm}$ and transverse axes $\pm 0,5\text{mm}$



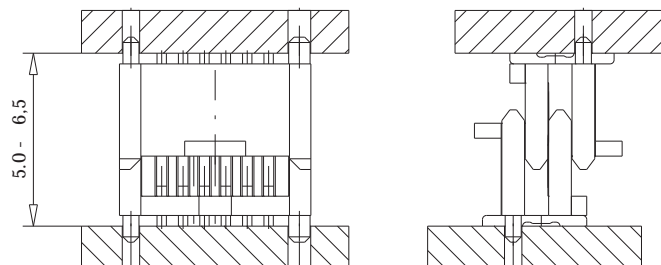
zulässiger Winkelversatz längs: $\pm 4^\circ$, quer: $\pm 4^\circ$

Allowed angular Inclination longitudinal: $\pm 4^\circ$, transverse: $\pm 4^\circ$



Maximaler "Board to Board" Abstand für sichere Kontaktgabe: 5,0-6,5mm

Maximum "Board to Board" distance for secure mating: 5,0-6,5



Information:	Tolerances	 All Dimensions in mm	Scale	5:1
	All rights reserved. Only for information. To insure that this is the latest version of this drawing, please contact one of the ERNI companies before using.		Subject to modification without prior notice. Drawing will not be updated.	Designation Steckbedingungen f. MicroStac Mating conditions f. MicroStac
Consider protection memo from DIN 34	 Elektroapparate GmbH D-73099 ADELBERG		E02899	
Index	Date	M:00025231.SZN	1	