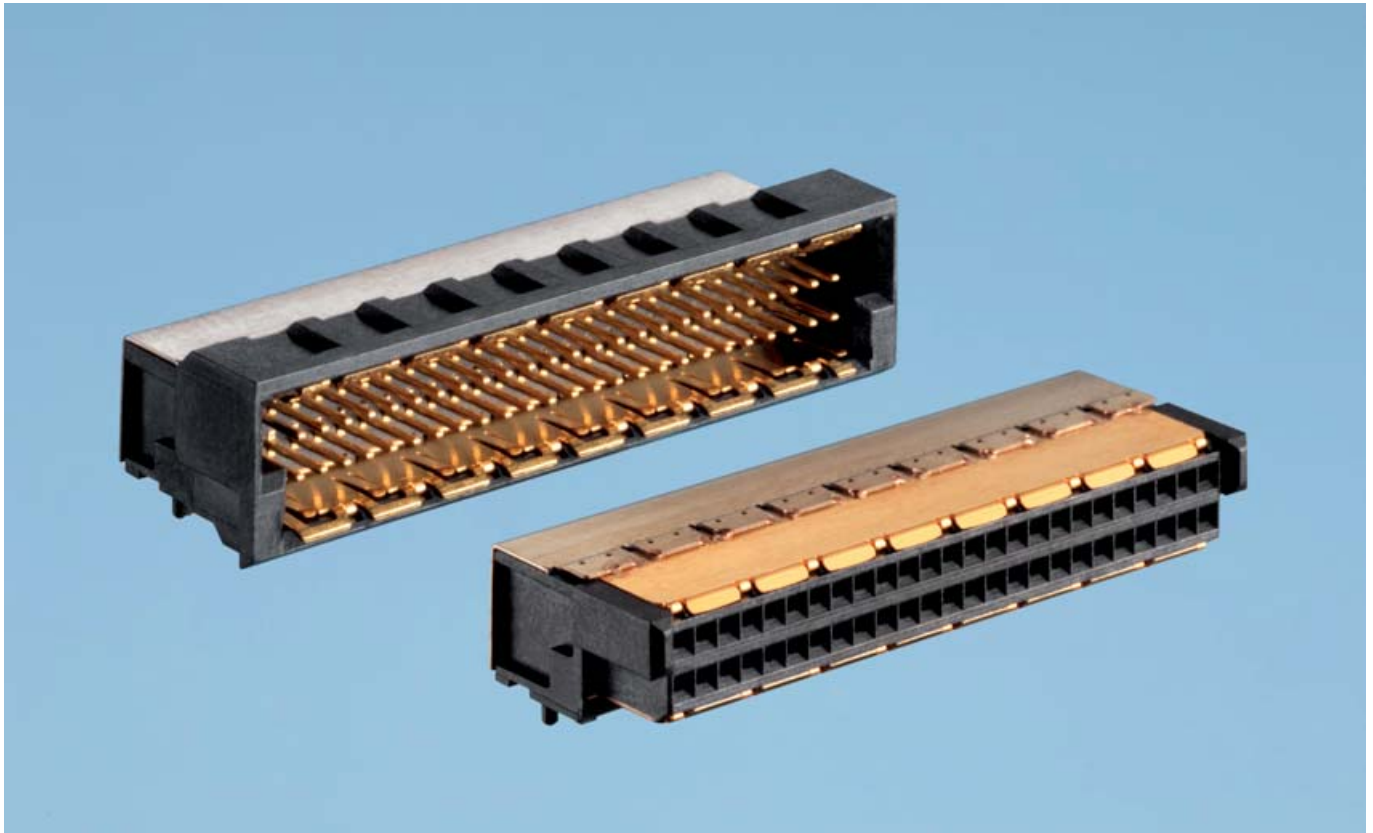


MicroSpeed® Right Angle Blind Mate Connectors



ERNI has expanded its portfolio of high-speed Mezzanine connectors with the introduction of a right angle MicroSpeed 10 Gbit/s connector. At present, customers can choose from a wide range of connector mating possibilities - direct attachment to a printed circuit board (PCB) in either a right angle, Board-to-Board or co-planar arrangement for space-saving connections. MicroSpeed connectors are also offered in an arrangement of Board-to-Board stack heights from 5 mm to 20 mm while providing every height in between 1 mm increments.

The modular and shielded SMT signal connectors are available with 2 rows and 50 pins and offer a wide-temperature range (-55 °C to +125 °C). While the signal contacts are made with SMT termination, the engineer can select between two termination options for the enveloping shielding depending on the application: SMT or Through Hole Reflow (THR) for extra heavy cards or extra maximum mechanical strain relief. In addition, SMT signal coplanarity is 100% guaranteed, less than 0.10 mm on all contacts. With a minimum of 500 mating cycles, the signal connectors are engineered for every application concern, including severe vibration.

For rugged applications the MicroSpeed 90° version comes along with reinforced side walls and two polarized guide elements for alignment and secure mating.

The signal connector's longitudinal pitch of 1.0 mm and transverse pitch of 1.5 mm allows the differential or single-ended signals to be

arranged horizontally or vertically to meet your specific impedance requirements. Optimized crosstalk behavior is achieved through a variety of layout configurations and is supported with test data, available upon request.

By providing generous misalignment tolerances on both the longitudinal and transverse axes of ± 0.7 mm, MicroSpeed can be strategically placed on the PCB to keep copper traces as short as possible while reducing unnecessary and costly board layers.

MicroSpeed connectors are supplied in tape and reel packaging. They have black insulator housing material for fast and reliable visual recognition.

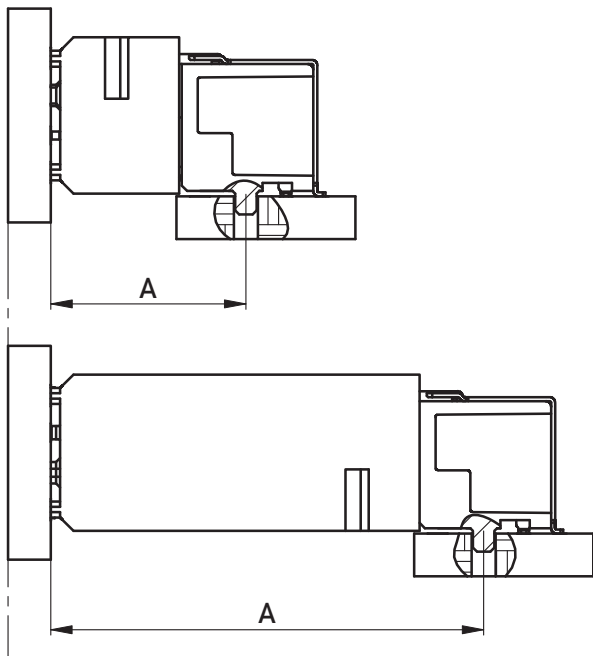
Features

- High Speed connector (10 Gbit/s)
- For rugged applications (reinforced side walls)
- Polarized for alignment and secure mating
- Right angle version for rectangular and coplanar PCB configurations
- THR Pins for high retention forces
- LCP insulator material (UL94 V-0)
- Class 1 connector (> 500 mating cycles)
- Tape and Reel packaging

MicroSpeed®
Right Angle Blind Mate Connectors
Stacking Dimensions



Vertical Male, Right Angle Female

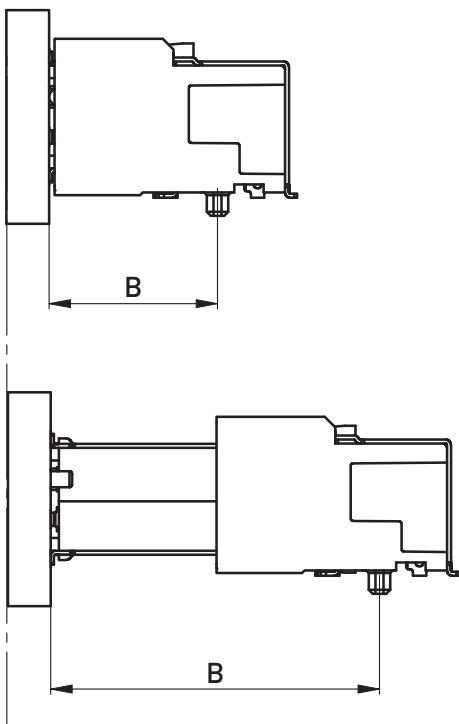


1 mm	7,3	7,2	8,8
2 mm	8,3	8,2	9,8
9 mm	15,3	15,2	16,8
10 mm	16,3	16,2	17,8
Steckhöhe Messerleiste Stacking Height Male connector	A	Min.	Max. *

* Bei voller Ausnutzung der Überstecksicherheit steigt die Impedanz und die Reflektion im Hochfrequenzbereich an.

* *By fully exhausting the wipe length, there is an increase of impedance and reflections in the high frequency range.*

Vertical Female, Right Angle Male



4	6,3	6,2	7,8
6	8,3	8,2	9,8
8	10,3	10,2	11,8
10	12,3	12,2	13,8
Steckhöhe Federleiste Stacking Height Female connector	B	Min.	Max. *

* Bei voller Ausnutzung der Überstecksicherheit steigt die Impedanz und die Reflektion im Hochfrequenzbereich an.

* *By fully exhausting the wipe length, there is an increase of impedance and reflections in the high frequency range.*

MicroSpeed®

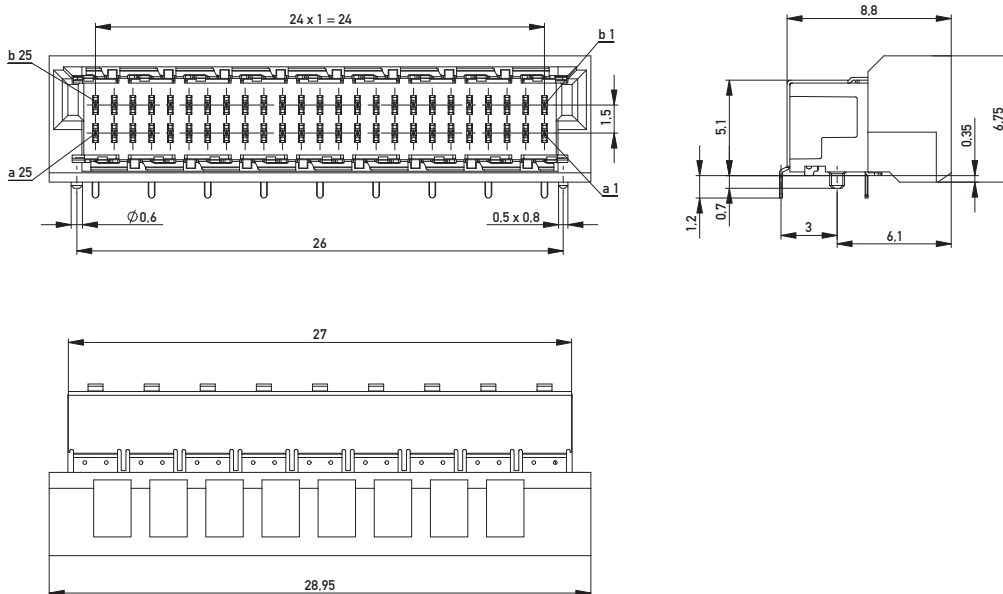
Right Angle blind Mate Connectors

Male Connectors

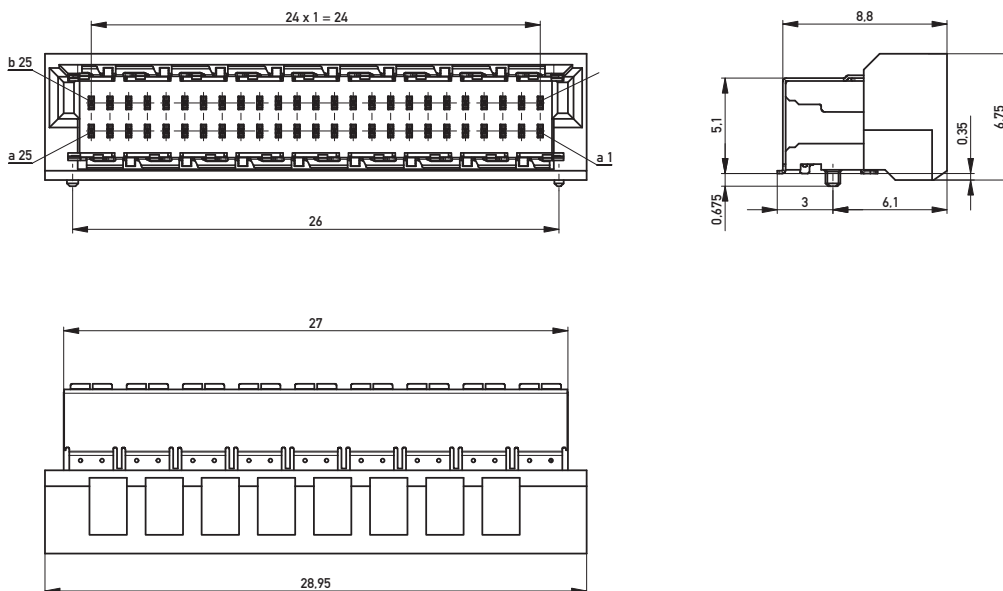


Dimensional Drawings

THR Ground Pins



SMT Ground Pins



Ordering Information

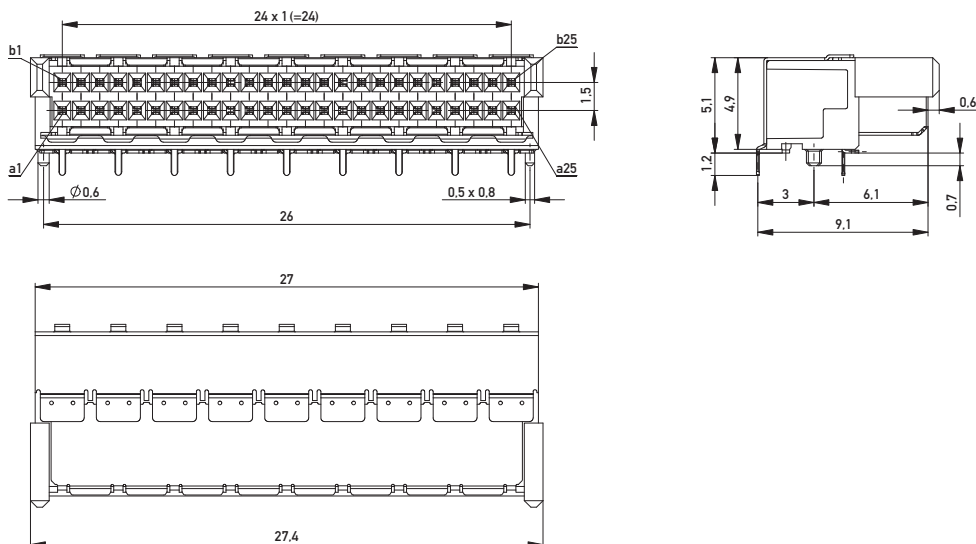
Number of Pins	Termination	Packaging	Part Number
50	SMT/THR	Tape and Reel/400 St.	374722
50	SMT	Tape and Reel/400 St.	284332

MicroSpeed® Right Angle Blind Mate Connectors Female Connectors

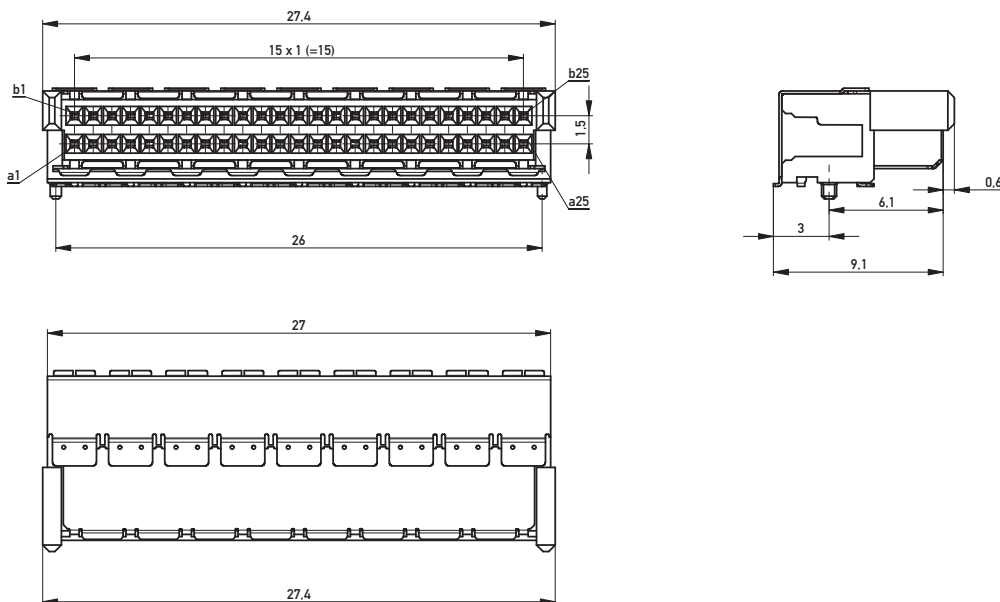


Dimensional Drawings

THR Ground Pins



SMT Ground Pins



Ordering Information

Number of Pins	Termination	Packaging	Part Number
50	SMT/THR	Tape and Reel/500 St.	374720
50	SMT	Tape and Reel/500 St.	284310