



ERNI has continuously expanded its established line of Profibus, CAN bus and SafetyBus field bus connectors. The Profibus switch versions, with or without a programming interface, have now been redesigned.

With the new ERbic versions for Profibus, the external dimension has been reduced and the connector now fits into even smaller housing cut outs. The enclosed parts from the earlier version have now been fixed mounted. Furthermore, optimal cable clamp are available for different cable diameters (from 6 to 9 mm). Beyond that, the new ERNI D-Sub connectors are also being used.

Well-established cable connection techniques are available to meet the specific requirements, such as: IDC terminal ("fast connection", which replaces the dismantling of the bus wires), cageclamp terminal and screw terminal block. In addition, the bus connector can be imprinted using the standard ID plate.

The variable connection techniques and cable strain relief provide customers with greatest possible flexibility when connecting the connector in the field. Profibus version in particular are designed for data rates up to 12 Mbit/s in applications which require moderate industry environments (IP20).

**Features**

- New ERNI D-Sub connectors are used
- The ERbic connector without PU corresponds to the requirements of the S7-300 PLC
- Available with programming interface
- All versions with switches (switch-in matching resistor)
- Profibus versions are delivered with ID plate and cable clamp suitable for an overall cable diameter of 8 mm

**Recommended Cables**

**Siemens:**

Profibus FC Standard cable	6XV1830 - 0EV20
Profibus FC Robust cable	6XV1830 - 0JH10
Profibus FC Food cable	6XV1830 - 0GH10

**LAPP Cable:**

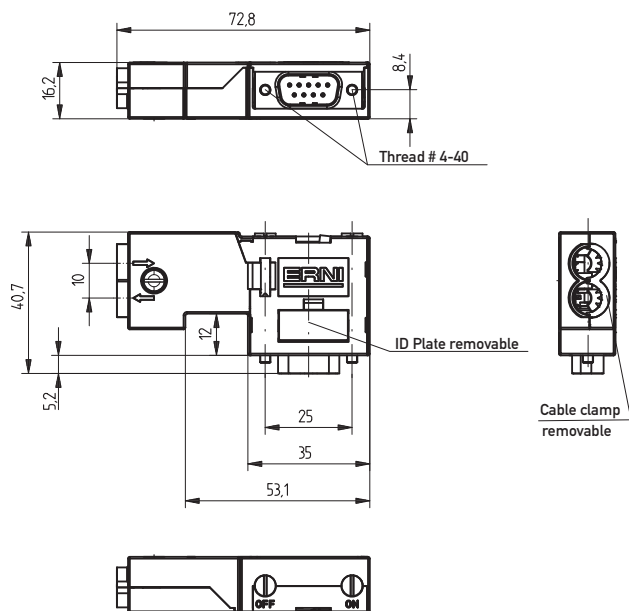
UNITRONIC FC 7-wire UL/CSA	2170826
UNITRONIC L2/FIP UL/CSA	2170219

**Pin Configuration**

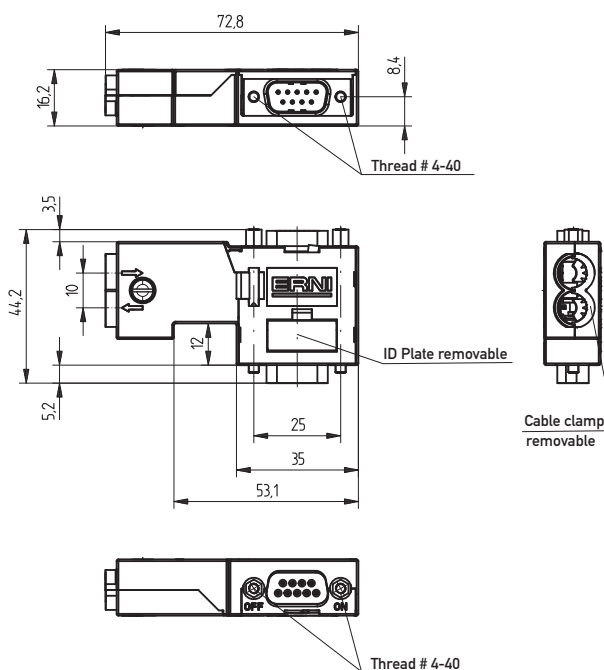
Terminal	D-Sub Pin	Signal
B (1)	3	RxD/TxD-P
A (2)	8	RxD/TxD-N
B (3)	3	RxD/TxD-P
A (4)	8	RxD/TxD-N
-	5	GND
-	6	VP (+5 V)

## Dimensional Drawing

Profibus without PU connection



Profibus with PU connection



## Ordering Information

ERbic Type with Switch	D-Sub 9-pin	Termination	Part Number
Profibus without service/PU connection	male	cage clamp	366311
Profibus with service/PU connection	male and female (PU connection)	cage clamp	366316
Profibus without service/PU connection	male	IDC terminal	366318
Profibus with service/PU connection	male and female (PU connection)	IDC terminal	366321
Profibus without service/PU connection	male	screw terminal	366323
Profibus with service/PU connection	male and female (PU connection)	screw terminal	366326

Packaging: Single box with enclosed assembly instruction, cable clamp (cable diameter 8 mm) and ID plate. All parts are pre-assembled.

Accessory	Cable Diameter	Color	Part Number
Cable clamp	6 mm	light grey	224427
Cable clamp	7 mm	light grey	224429
Cable clamp	9 mm	light grey	224433
ID plate	-	white	134577