

ERNI expands the established ERbic Typ 8 Series with a CANbus Version.

Features

- All parts are pre-assembled, only 1 mounting screw
- Extremely flexible due to:
 - Spring clamp terminal
 - Changeable cable clamps for different cable diameters fom 6 to 9 mm (8 mm pre-assembled, 7 mm enclosed)
- Best quality due to use of the new ERNI D-Sub connector generation
- Externally connectable termination resistor
- Optional diagnostic-interface
- Extra metallic stamped shield connection for optimal shield contact
- Processible with only one tool (screwdriver)
- Exchangeable ID plate for manuel or automatic labeling
- Due to the red lever the switch setting is well visible
- Compact design
- Large area for customer-specific labeling, neutral version or with custom company-logo

Technical Data

Interface connector	D-Sub, female class 2
PU connection	D-Sub, male class 2
Cable termination	2 x horizontal cable outlets can be covered by blind plate
Cable diameter	6 – 9 mm
Cross section of cage clamp	0.08 – 0.5 mm ² (0.75 mm ²)
Data transmission rate	max. 1 MBit/s (CAN-Spezifikation)
Temperature range	-20 °C – +70 °C

Permissible humidity

max. 75% at +25 °C,
non-condensing

Protection class

IP 20

Housing material

Thermoplast UL94V-1

D-Sub screw #4/40 UNC

slotted head screw

UL approval

in preparation

CE marking

ERbic connectors are passive components and do not need to be identified with CE marking acc. to EU directives.

Recommended Cables

LAPP cables (for standard cable clamp 8 mm):

UNITRONIC BUS CAN UL/CSA	2170266	ø 7.5 mm
UNITRONIC BUS FD P CAN UL/CSA	2170278	ø 8.0 mm

Helu cables (for cable clamp 7 mm):

CAN Bus cable	800571	ø 7.0 mm
CAN Bus cable, high flexible	802182	ø 6.9 mm

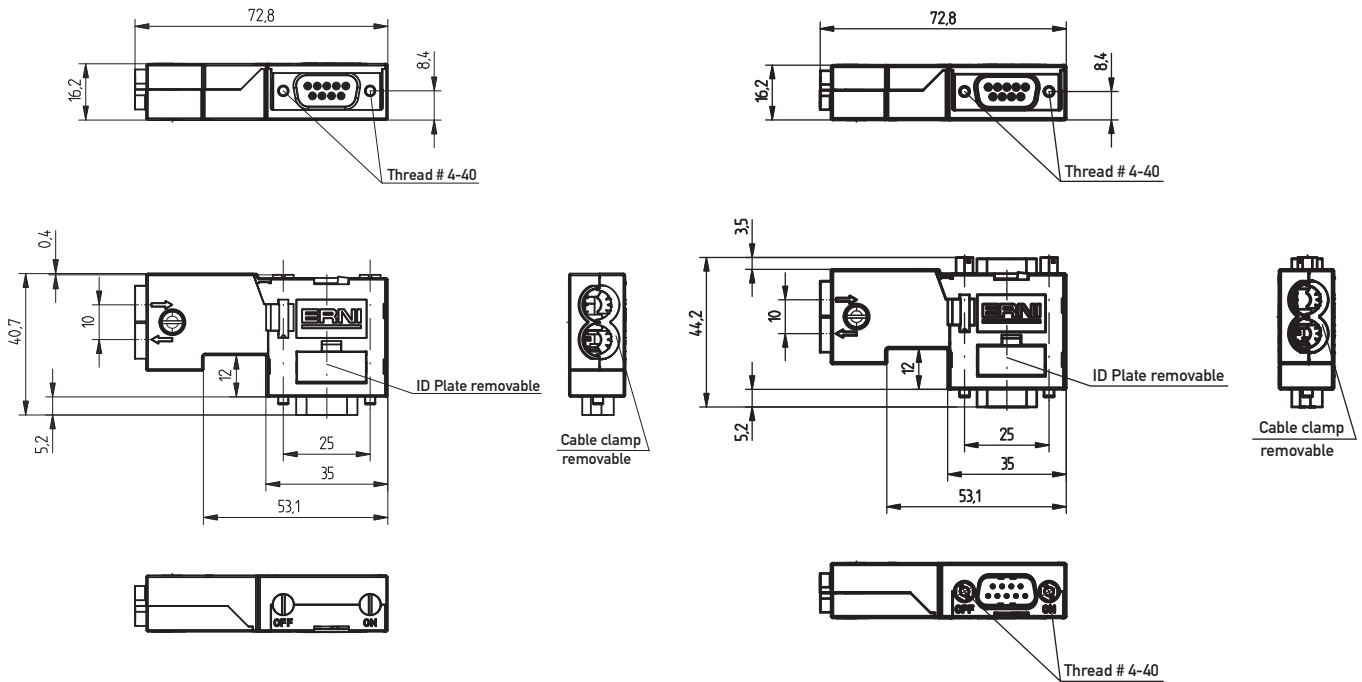
Pin Configuration

Terminal	D-Sub Pin	Wire color	Signal
GND	3	shielding	CAN ground
C-L	2	white	CAN-Low
C-H	7	brown	CAN-High
C-L	2	white	CAN-Low
C-H	7	brown	CAN-High
GND	3	shielding	CAN ground

Dimensional Drawing

CANbus without PU connection

CANbus with PU connection



Ordering Information

ERbic Type with Switch	D-Sub 9-pin	Color	Termination	Part Number
CANbus without service/PU connection	female	black	cage clamp	366328
CANbus with service/PU connection	female and male (PU connection)	black	cage clamp	366331

Packaging: Single box with enclosed installation instructions (cable clamp 7 mm and blind plate are enclosed).

Accessory	Cable Diameter	Color	Part Number
Cable clamp	6 mm	light grey	224427
Cable clamp	9 mm	light grey	224433
ID plate	-	white	134577