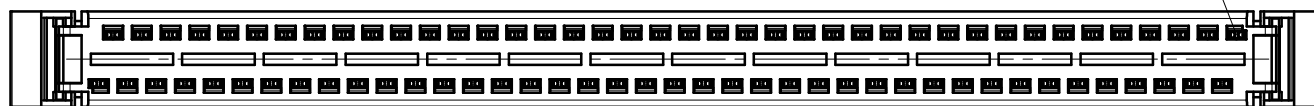
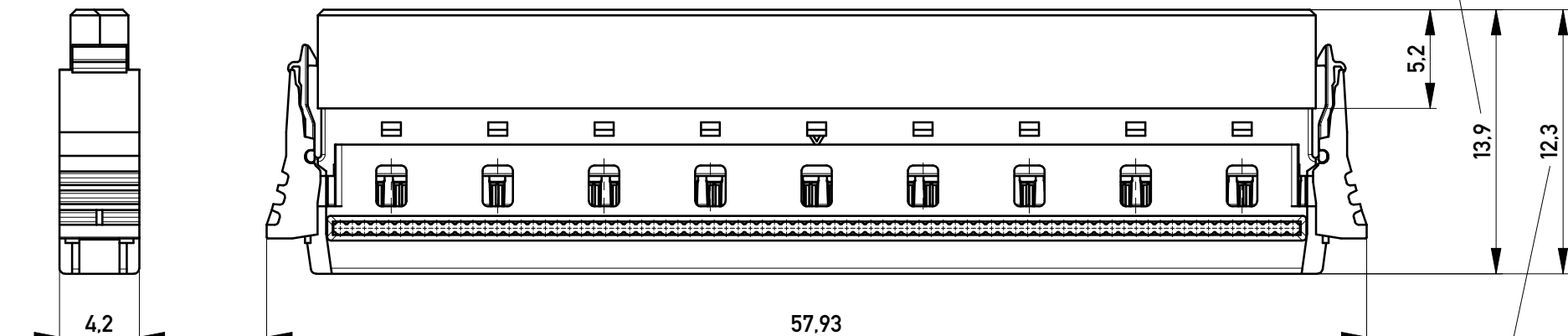


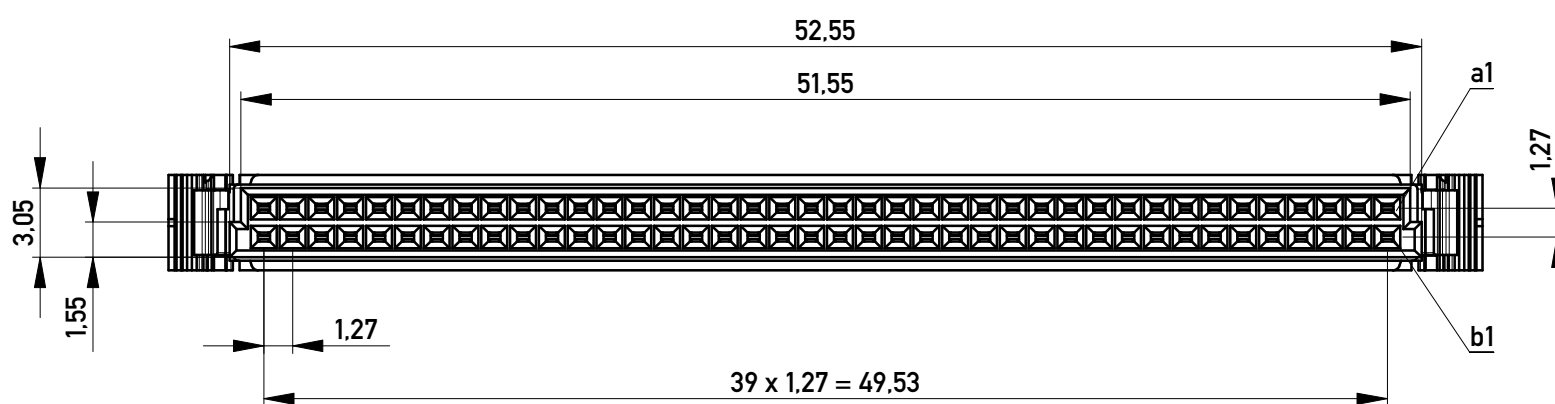
rote Kennader auf b1
red edge at b1



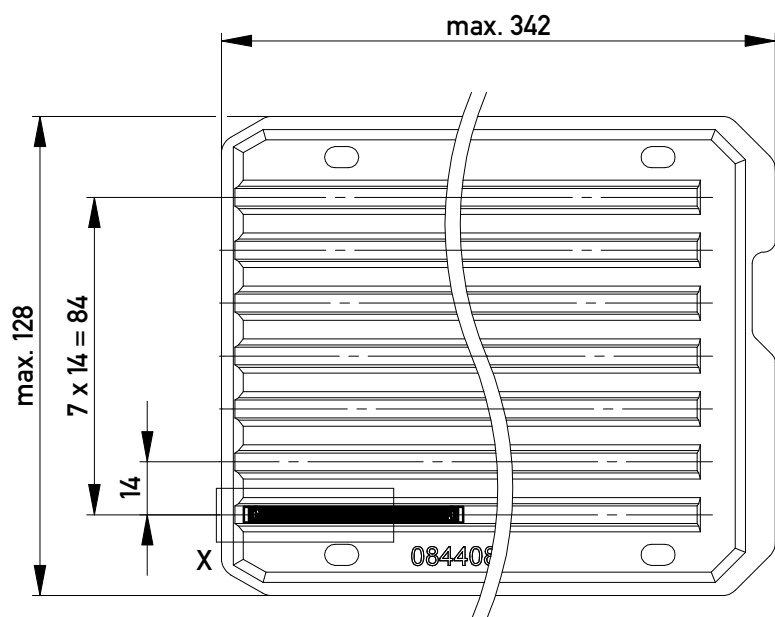
mit aufgesetzter Drahtführung (Anlieferungszustand)
wire guide loose mounted (state at time of supply)



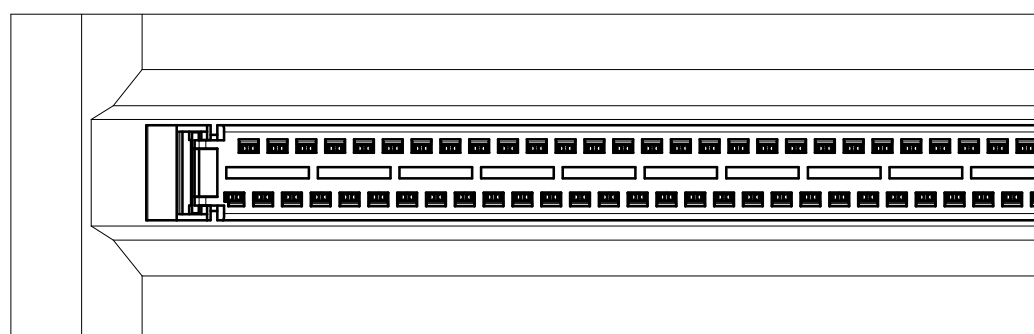
Drahtführung verpresst
wire guide pressed on



Verpackt in Tray - tray packaging
Verpackungseinheit 35 Stück - packaging unit 35



Einzelheit X
detail X



Federleiste mit Schneidklemmanschluß Bauform B, BA 6
mit Verriegelungsmechanismus (angespritzt)

IDC Female Connector Type B with Locking Latches
(formed on), BA 6

Information:	Tolerances	 All Dimensions in mm	Scale	3:1
	All rights reserved. Only for Information. To ensure that this is the latest version of this drawing, please contact one of the ERNI companies before using.		Subject to modification without prior notice. Drawing will not be updated.	Designation Federleiste SMC-B, SKV 80-pol. Female SMC-B, SKV 80 contacts
b Index	02.03.2011 Date	 www.ERNI.com	214349	
			Class	SMCB
				I A3

Copyright by ERNI GmbH
Proprietary notice pursuant to ISO 16016 to be observed.