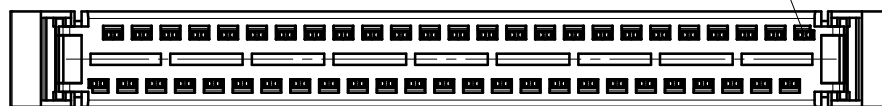
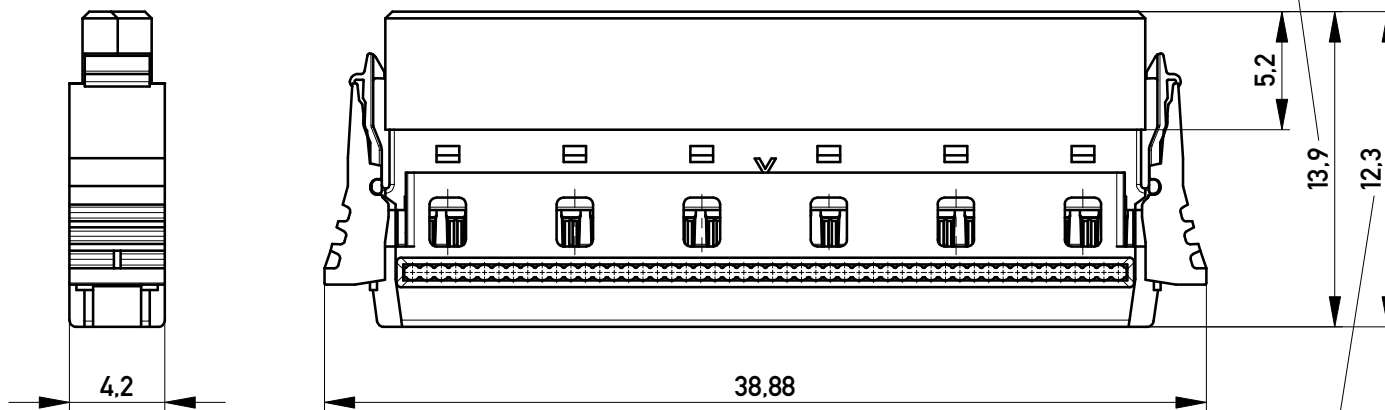


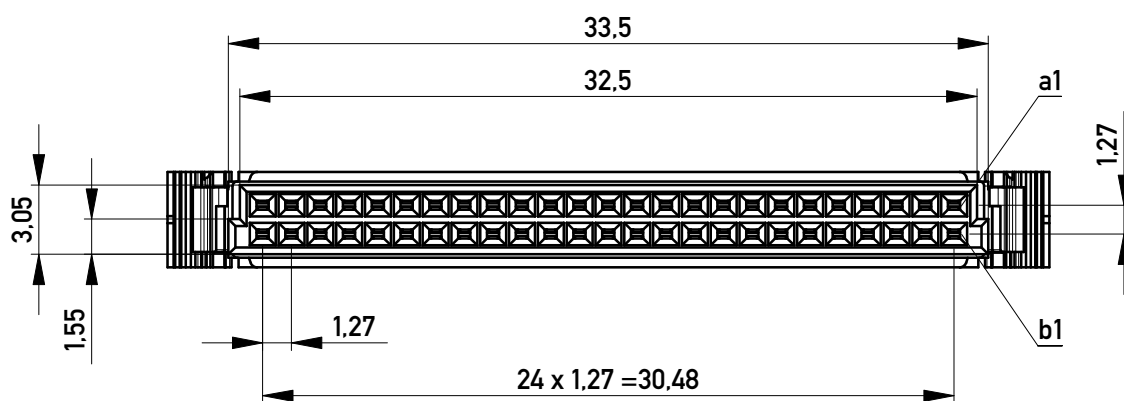
rote Kennader auf b1
red edge at b1



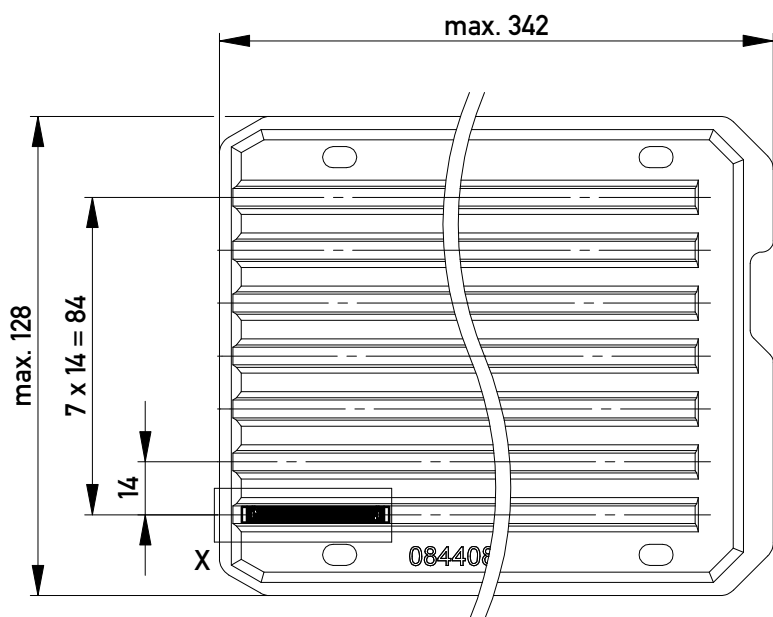
mit aufgesetzter Drahtführung (Anlieferungszustand)
wire guide loose mounted (state at time of supply)



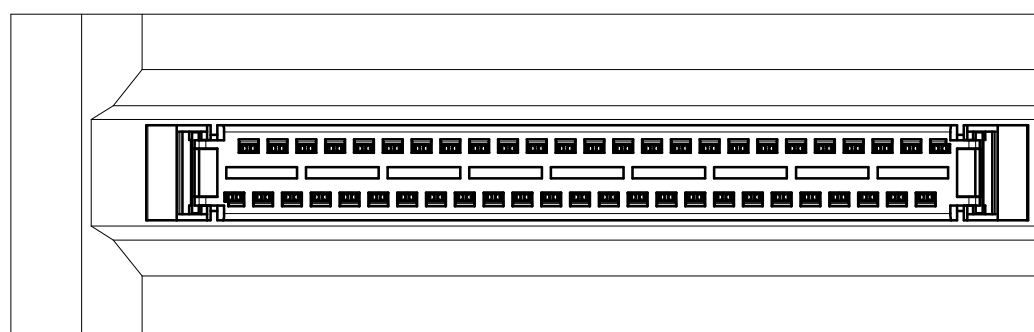
Drahtführung verpresst
wire guide pressed on



Verpackt in Tray - tray packaging
Verpackungseinheit 56 Stück - packaging unit 56



Einzelheit X
detail X

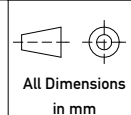


Federleiste mit Schneidklemmanschluß Bauform B, BA 6
mit Verriegelungsmechanismus (angespritzt)

IDC Female Connector Type B with Locking Latches
(formed on), BA 6

Information:

Tolerances



Scale 3:1

All rights reserved.
Only for Information.
To ensure that this is the latest
version of this drawing, please
contact one of the ERNI companies
before using.

Subject to modification without
prior notice.
Drawing will not be updated.

Designation

Federleiste SMC-B, SKV 50-pol.
Female SMC-B, SKV 50 contacts

Copyright by ERNI GmbH
Proprietary notice pursuant to ISO 16016 to be observed.

b 02.03.2011
Index Date

www.ERNI.com

214347

I
A3

Class SMCB