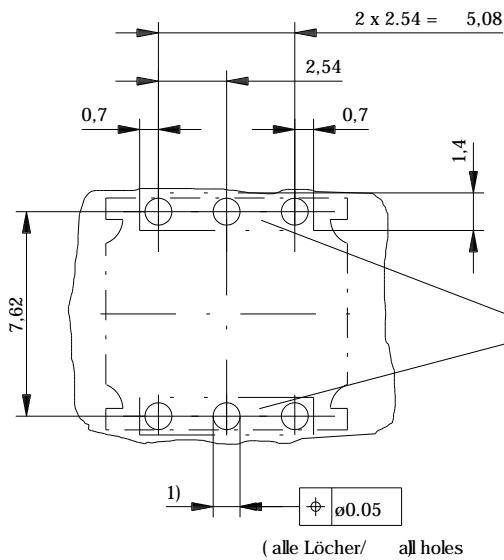


**Leiterplattenbohrbild  
PCB drillhole pattern**



Schichtaufbau im metallisierten Loch siehe Zeichnung 114124

diameter of drilled hole see drawing 114124

- 1)  $\phi 1,0 \begin{smallmatrix} +0,09 \\ -0,06 \end{smallmatrix}$  Durchmesser des metallisierten Loches
- $\phi 1,0 \begin{smallmatrix} +0,09 \\ -0,06 \end{smallmatrix}$  Diameter of finished plated-through hole
- $\phi 1,15 \pm 0,025$  Bohrungsdurchmesser des Loches
- $\phi 1,15 \pm 0,025$  Diameter of drilled hole

Dieser Bereich muß gleiches Potential auf LP-Oberfläche haben

This area must have same electrical potential on surface of PCB

214787	M4
214796	M3
214797	6-32UNC
214798	8-32UNC
Ident-Nr.	Gewinde
Part No.	thread

Information:		Tolerances		Scale	5:1
All rights reserved. Only for information. To insure that this is the latest version of this drawing, please contact one of the ERNI companies before using.		Subject to modification without prior notice. Drawing will not be updated.		Designation	
				SVA 6-polig EE Power Bug 6pin EE	
		www.ERNI.com		204820	
b	11.05.2006			I	
Index	Date	C:00057489.SZA		EPSVA	