

D-Sub Discrete Wire IDC Connectors

TMC Series



General

These connectors provide easy and quick termination of discrete wires via Insulation Displacement Connection (IDC) technique and feature termination of stranded or solid wires. The connectors are available as male or female versions from 9pin up to 37pin configuration.

The according application tooling serves high speed cabling and allows partially loaded cable assemblies. The harnessed IDC connectors fit ideal in the D-Sub cable connector housing series KSG 200. The KSG 200 secures high EMI / RFI and ESD protection.

Technical Features

- Quick harnessing capability with simple hand or semi-automatic tooling.
- Contacts are easily removable and replaceable.
- Wire accommodation: 22 AWG - 26 AWG (other wire gauges upon request).
- Pin number: 9, 15, 25, 37

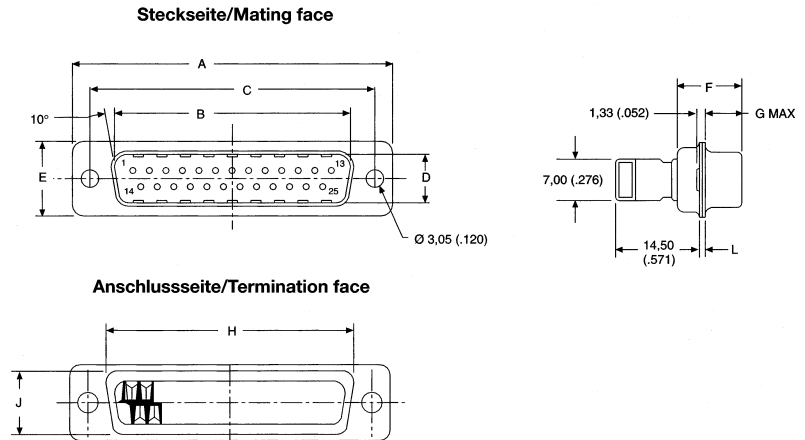
Technical Data

- Contact material: Copper Alloy
- Contact plating mating area: 0.76 μm Au over Ni
- Insulator: Thermoplastic UL 94 V-0
- Shell: Steel, tinned
- Current Rating: 2.5 A
- Temperature Rating: -55 to +125°C
- Contact Resistance: 15 m Ω max.
- Dielectric Withstanding Voltage: 1000 VAC

Ordering Information

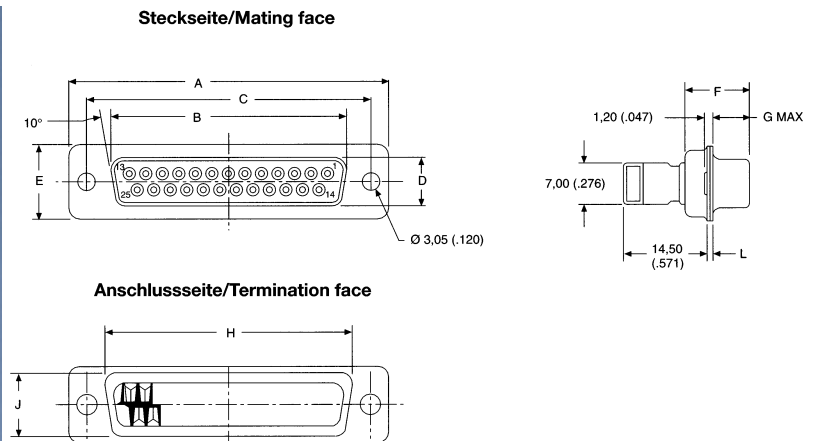
Pin-No.	Connector Type	ERNI-No.
9	Male	063530
15	Male	063528
25	Male	063529
37	Male	103813
9	Female	063526
15	Female	063531
25	Female	063527
37	Female	063535

Male Connector



Dimensions are mm (inches)

Shell size	A ±0,38 (.015)	B ±0,13 (.005)	C ±0,13 (.005)	D ±0,13 (.005)	E ±0,38 (.015)	F ±0,25 (.010)	G max.	H ±0,25 (.010)	J ±0,25 (.010)	L ±0,25 (.010)
9	30,81 (1.213)	16,92 (.666)	24,99 (.984)	8,36 (.329)	12,55 (.494)	10,72 (.422)	6,05 (.238)	19,27 (.759)	10,71 (.422)	0,76 (.030)
15	39,14 (1.541)	25,25 (.994)	33,32 (1.312)	8,36 (.329)	12,55 (.494)	10,72 (.422)	6,05 (.238)	27,50 (1.038)	10,71 (.422)	0,76 (.030)
25	53,04 (2.088)	38,96 (1.534)	47,04 (1.852)	8,36 (.329)	12,55 (.494)	10,82 (.426)	5,99 (.236)	41,27 (1.625)	10,71 (.422)	0,99 (.039)
37	69,32 (2.729)	55,42 (2.182)	63,50 (2.500)	8,36 (.329)	12,55 (.494)	10,82 (.426)	5,99 (.236)	57,70 (2.272)	10,71 (.422)	0,99 (.039)

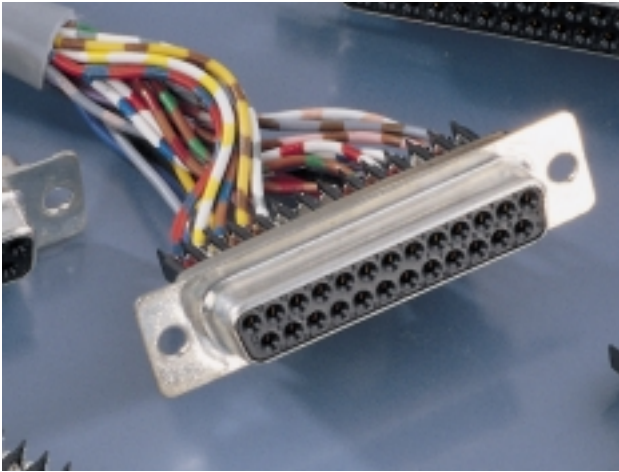


Dimensions are mm (inches)

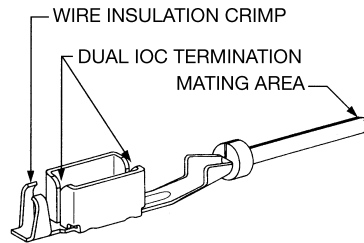
Shell size	A ±0,38 (.015)	B ±0,13 (.005)	C ±0,13 (.005)	D ±0,13 (.005)	E ±0,38 (.015)	F ±0,25 (.010)	G max.	H ±0,25 (.010)	J ±0,25 (.010)	L ±0,25 (.010)
9	30,81 (1.213)	16,33 (.643)	24,99 (.984)	7,90 (.311)	12,55 (.494)	10,90 (.429)	6,30 (.248)	19,27 (.759)	10,71 (.422)	0,76 (.030)
15	39,14 (1.541)	24,66 (.971)	33,32 (1.312)	7,90 (.311)	12,55 (.494)	10,90 (.429)	6,30 (.248)	27,50 (1.038)	10,71 (.422)	0,76 (.030)
25	53,04 (2.088)	38,38 (1.511)	47,04 (1.852)	7,90 (.311)	12,55 (.494)	10,90 (.429)	6,30 (.248)	41,27 (1.625)	10,71 (.422)	0,76 (.030)
37	69,32 (2.729)	54,84 (2.159)	63,50 (2.500)	7,90 (.311)	12,55 (.494)	10,90 (.429)	6,30 (.248)	57,70 (2.272)	10,71 (.422)	0,76 (.030)



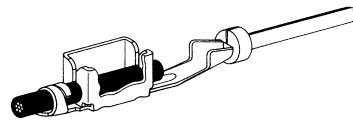
Termination Principle



Discrete Wire IDC Contact



Contact harnessed with discrete wire



Application Tooling



General

The crimp tool allows the easy and fault-free harnessing of the discrete wires. For higher quantities is the automatic hand crimp tool with the tool support designed.

Ordering Information

Description	Part-No.
Standard Hand Crimp Tool	124774
Automatic Hand Crimp Tool	124775
Tool support (for mounting on table)	124776
Extraction Tool	124777

THE ERNI COMMITMENT – BEYOND CUSTOMER SATISFACTION

ERNI Manufactures a Wide Range of World-Class Quality Interconnect Products

DIN 41612/IEC 60603-2 Connectors

Wide Range of Standard and Inverse Pressfit and Solder DIN Connectors
High Density 4 and 5 Row Connectors
Right-Angle Pressfit Connectors
Type M Hybrid Connectors for Signal, Power and Coax
Female Crimp Connectors
IDC Receptacle Connectors
Cable Housings (covers)
Eurocard Center Connectors



2.54 mm IDC Connector System



ERmet® 2mm Hard Metric Connectors

2 mm Hard Metric Connectors

ERmet® 7 and 10 Row Connectors
ERmet® Connectors for cPCI and VME-64x Applications
Verticale Female Connectors
Shielded and Unshielded Connectors
Shrouds
AB Connectors and Shrouds
Monoblock Connectors



D SUB Pressfit Connectors



SMC .050" (1.27 mm) SMT Connector System

D-Subminiature Connectors

Pressfit Connectors
Filtered Connectors
Right-Angle Pressfit Connectors
High Power Connectors
IDC Connectors



LDG-A Miniature Enclosures



Wide range of DIN 41612/IEC 60603-2 Connectors

Cable Housings

Other Connectors

SMC .050 (1.27mm) Board to Board and Board-to-wire Connectors
ERbic® Bus Interface Connectors
Pressfit Power Tap Connectors for Backplanes
Shrouded Headers (.100")
Coaxial Cable PCB Connectors
2.54 mm IDC Connector System



Cable Housings



ERbic® Bus Interface Connector System

Miniature Enclosures

LDG-A DIN-Rail Enclosures
IDG-B DIN-Rail Enclosures

ERNI also carries presses and tooling to support your interconnect applications.

EXPECT IT FROM ERNI

See Our Web Page: • <http://www.erni.com>

Europe, South America, Africa

ERNI Elektroapparate GmbH • Seestr. 9 • D-73099 Adelberg • Germany
Tel: (+49) 7166 50-0 • Fax (+49) 7166 50 119 • E-Mail: info@erni.de

North America, Canada, Mexico

ERNI Electronics, Inc. • PMB 311, 12750 Jefferson Davis Hwy . • Chester, VA 23831-5308 6 • USA
Tel. (+1) 804 530-5012 • Fax (+1) 804 530-5232 • E-Mail: info.usa@erni.com

Asia

ERNI Asia Pte. Ltd. • Blk 13 Toa Payoh Lorong 8 • #05-05 Braddell Tech • Singapore 319261
Tel. (+65) 256 8761 • Fax (+65) 256 8753 • E-Mail: info@erni-asia.com

Sales and Manufacturing Worldwide

<http://connect.erni.com/contact/>

ERNIPRESS

ERmet®

ERcom®

ERbic®



Limitor